



Terms of Reference (TOR)

ENERGY FOR HEALTH – ASSAM

Agency for Quality & Safety Check of Solar Installation at the Public Health Facilities at state of Assam

Title	Request for proposals (RFP) from the Solar agencies/consultants for the quality & safety check of installed Solar DRE systems in public health facilities in state of Assam.
Timeline	3 Months (January 2025 - March 2025)
Expected area of expertise	Solar agencies/consultants for the quality check
Apply Link	https://forms.gle/6hH2VUwKMdbVatrc8 (Contact Procurement for Form Link) procurement@selcofoundation.org , http://www.selcofoundation.org/)
Last Date for Apply	27 th Dec 2024

About SELCO Foundation:

SELCO Foundation's mission is to create a platform of solutions that uses sustainable energy as a catalyst to bridge environmental sustainability and poverty alleviation. With holistic development as the primary focus, the organization strives to create equitable societies, where services are accessed by all communities. The interventions of SELCO lead to a sustainable delivery model of essential services like livelihoods, education, and health till the last mile. (Read more about SELCO here: <http://www.selcofoundation.org/>)

1. Summary of the project:

As a part of its "Energy for Health" program, SELCO Foundation aims to strengthen health services delivery through the deployment of decentralized sustainable energy solutions for health centres in state of Assam.

The SELCO Foundation plans to have a quality and safety check of installed Solar DRE systems in public health facilities in Assam. The process should be, by visiting the health facilities physically and filling prerequisite check list and recording all other issues/suggestions/feedback taken from the health facility staff along with observations made.

Proposals (Technical & Financial) from eligible Solar agencies/ consultants are invited to conduct Quality check at the public health facilities as mentioned in the TOR.

2. Goals and Objectives

Sl. No.	Objective	Methodology
1	Quality of installations	<ul style="list-style-type: none"> Visual/physical inspection for compliance of the installation with reference to the approved SLD/Design/BOM/Other specified instructions as laid down in the agreement/Work order and associated Documents which are signed of between SELCO Foundation and the Vendor. Complete the inspections following the check list provided in Annexure 1. Recording of the plant electrical performance should be a part of the monitoring process. Verifying the load connectivity with the solar system in comparison with the load details with the sheet. Verifying the working of connected loads and sockets
2	Capacity and Awareness of Healthcare staff	Evaluation of the health staff on below given points: - <ul style="list-style-type: none"> Knowledge of basic system functioning, it's limitations and purpose Knowledge of best practices (cleaning, battery maintenance, safety) Knowledge of disconnect switches. Information and process of reporting complaints Challenges (if any) Any unmet energy needs. Training programs (if any)
3	Servicing and Maintenance	<ul style="list-style-type: none"> System and equipment warranties
4	Safety Assurance	Verify that all electrical connections and components meet safety standards to prevent hazards such as electrical shocks, fires, and system failures.
5	Detection of Unauthorized Modifications	Quality checks should reveal any unauthorized changes or tampering made to the system, in reference to the original design and installation practice.

3. Scope of Work

The scope of work for the quality check of an installed solar system involves a comprehensive evaluation to ensure that the system meets all design specifications, safety standards, and performance expectations. The quality check should cover various aspects including visual inspections, electrical measurements, performance tests, and documentation review.

- The team is required to visit the 641 Health facilities in state of Assam as outlined in Annexure No. 2.
- The inspection report needs to be thoroughly completed, to ensure all checkpoints are filled.
- Completing the checklist involves accurately recording the available information acquired through physical visits to the health facility and in close coordination with the staff.
- To ensure thorough inspection, it is imperative to meticulously review and assess each component of the solar system by referring to the documents outlined in Annexure 1 chart. Also, Annexure 1 Chart A & B documents should be duly filled, in references made with Annexure 1 chart documents: 1C, 1D, 1E, 1F, 1G.



Sl. No	Annexure 1 Chart	
1	Annexure-1 A	Solar Installation Monitoring Checklist
2	Annexure-1 B	Monitoring Observation Report
3	Annexure-1 C	SLD/Concept sheet of solar system
4	Annexure-1 D	SLD/Concept sheet of load wiring
5	Annexure-1 E	Bill Of Materials of solar system, Luminaries & fans
6	Annexure-1 F	Bill Of Materials of load wiring
7	Annexure-1 G	Load details sheet

- Record detailed recommendations, feedback, suggestions, and issues in the provided format for comprehensive follow-up and develop a corrective action plan for identified issues.
- The team or person visited should be easily accessible to provide explanations for any clarifications needed regarding the checklist or provided information.
- The visiting team is advised to maintain respectful and attentive interactions with health staff.
- The monitoring should be done without disturbing the medical services and without disturbing the patients.
- The monitoring should be done without damaging the physical infrastructure of the health facility, and if so, the agency is liable for repair of the same
- The individual must inform the SELCO Foundation immediately if any urgent or major rectification is required.
- The final payment will be initiated only after the complete closure of the project (I.e., all the inputs required by Selco foundation are fully furnished and validated. Incorrect and incomplete inputs will be considered invalid)
- The team should be available for online meeting discussions as and when called for.
- If staff are unaware of the basic system functioning, it would be the responsibility of the agency to provide basic orientation to staff on the points mentioned above and document to same.
- Prior coordination/appointment with staff of respective health facility should be compulsorily made, in order to avoid revisits to the same site (Revisits to health centers and the expenses incurred for the same will be the taken care by the vendor/monitoring team and it will not be in the scope of SELCO Foundation to entertain such requests)

4. Requirement:

- The team is expected to provide the checklist, preferably in MS Excel format, along with Photos and its respective comments made. Raw data sheets along with the final digitized formats would be required.
- After every visit, district-wise subfolders containing all the relevant information should be uploaded into the specified folder created by SELCO Foundation.
- To ensure the task is completed within the given timeframe, adequate team members must be available and must look after their own transport, food, and lodging arrangements.
- The Team members should be over 18+ years of age.
- The team members should possess qualifications such as ITI, Diploma, BE, etc., and preferably should have experience in solar installation and maintenance activities. The biodatas of the assigned personnel are to be shared with SELCO Foundation prior to work initiation.
- The details of the tour plan and the information about the team members are to be shared with SELCO Foundation as per the agreed-upon timeline. Day wise updates (Travel plan, Task completion) should be compulsorily shared with SELCO Foundation on a regular basis.



5. Timelines:

3 Months (January 2025 - March 2025)

6. Selection Criteria:

- The agency/consultant should have at least 3 - 5 years of proven experience in solar installation, Monitoring, design.
- Demonstrated experience of rectification in various sized solar plants
- Experience in preferably working with public health facilities.
- This assignment would require travel to project sites in state of Assam.

7. Payment Terms:

25%	After signing the contract
25%	After completion of 50% of the sites
25%	After completion of 80% of the sites
25%	After submitting the final deliverables

8. To apply

Interested consultants / organizations, with relevant experience (please include samples and/or references of the previous similar work as proof of experience) and based out of India are requested to reach out with a detailed proposal giving a brief on the methodology and the process they will uptake for this project, including budgets (with break-ups and explanation), timelines and milestones and submit the same to google form <https://forms.gle/6hH2VUwKMdbVatrc8> on or before 27th December 2024.

Any further queries please write to procurement@selcofoundation.org with a subject line: **“Agency for Quality & Safety Check of Solar Installation at the Public Health Facilities at state of Assam”**

Refer Terms and Condition:

- 1. Sub-contracting:** In the event that the Consultant requires the services of subcontractors to perform any obligations under the Contract, the Consultant shall obtain the prior written approval of the Foundation. Any rejection or non-performance of the subcontractor shall not, in and of itself, entitle the Consultant to claim any delays in the performance, or to assert any excuses for the non-performance, of any of its obligations under the Contract, and the Consultant shall be solely responsible for all services, obligations and deliverables performed by its subcontractors.
- 2. Quality Assurance**
The data submitted to SELCO Foundation should be accurate, complete, reliable, and relevant. Consulting agencies shall establish additional layers for data cleaning and submission.



3. Financials & Reporting

TDS will be deducted on the fixed amount as per Income Tax Act and Rate of Percentage. In accordance with the Central Board of Direct Taxes circular No. 7 of 2022 dated 30th March, 2022 in relation to the clarifications with respect to Section 114AAA of the Income-tax Rules, 1962, failure to link Aadhar number to the PAN card and/or failure by any person, who falls within the income tax bracket or otherwise, to file tax returns in relation to payment of TDS for any service (in accordance with Section 206AB and 206AA) and/or an inoperative PAN card will result in a 20% tax deduction.

4. Indemnification

Both parties shall indemnify and hold its Trustees, Directors and representative officers, employees, agents harmless from and against any and all claims, demands, actions, losses, liabilities, charges, damages, costs and expenses (including but not limited to reasonable attorney's fees) arising out of or resulting from (1) any claims arising in connection with activities undertaken by both parties in connection with the project or (2) Consultant's gross negligence or willful misconduct or breach of any undertaking, covenant, representation or warranty contained in this agreement and/ or the actual infringement of any patent, trademark, copyrights, trade secret or any other intellectual property right of the third party.

5. Patent, Copyright and other Proprietary Rights

- (i) Except as is otherwise expressly provided in writing in the Contract, the Foundation shall be entitled to all intellectual property and other proprietary rights including, but not limited to, patents, copyrights, and trademarks, with regard to products, processes, inventions, ideas, know-how, or documents and other materials which the Consultant has developed for the Foundation under the Contract and which bear a direct relation to or are produced or prepared or collected in consequence of, or during the course of, the performance of the Contract. The Contractor acknowledges and agrees that such products, documents and other materials constitute works made for hire for the Foundation.
- (ii) Subject to the foregoing provisions, all documents, reports, recommendations, documents, and all other data compiled by or received by the Consultant under the Contract shall be the property of the Foundation, shall be made available for use or inspection by the Foundation at reasonable times and in reasonable places, shall be treated as confidential, and shall be delivered only to the Foundation's authorized officials on completion of work under the Contract
- (iii) The Consultant will treat all information given to him/her as information of proprietary value and will not disclose the same to competitors or any outsiders. The Consultant will not at any time, except under legal process, divulge any trade or business secret relating to the Foundation or any customer or agent of the Foundation, which may become known to him by virtue of his position as consultant, save in so far as such disclosure shall be necessary in the interest and for the benefit of the said Foundation and will be true and faithful to the Foundation in all dealings and transactions whatsoever relating to the said Foundation.
- (iv) Reports or other data that are developed specifically for the performance of this Contract shall be the property of the Foundation and the Consultant shall deliver reports and data to the Foundation as per the milestones. Dissemination of the reports and any information from the said contracts shall be done with written approval from the Foundation.

- 6. Publicity, use of name & Logo of the Foundation:** The Consultant shall not advertise or otherwise make public for purposes of commercial advantage or goodwill that it has a contractual relationship with the Foundation, nor shall the Consultant, in any manner whatsoever use the name, emblem, logo or official seal of the Foundation or that of SELCO in connection with its business or otherwise without the written permission of the Foundation.



7. Observance of Law:

- (i) The Consultant shall comply with all laws, ordinances, rules, and regulations bearing upon the performance of its obligations under the Contract.
- (ii) The Consultant represents and warrants that neither it, its parent entities, partners or subcontractors nor any of its subsidiary or affiliated entities (if any) is engaged in any practice inconsistent with the rights set forth in the *Child Labour (Prohibition and Regulation) Act of 1986*, which, *inter alia*, requires that a child shall be protected from performing any work that is likely to be hazardous or to interfere with the child's education, or to be harmful to the child's health or physical, mental, spiritual, moral, or social development.
- (iii) The Consultant represents and warrants that it shall adhere to the mandates prescribed under the *Sexual Harassment of Women (Prevention, Prohibition & Redressal) Act, 2013*, which requires all workplaces to have a Policy and Internal Committee to address complaints of sexual harassment that women may face at the workplace.

8. Termination:

Either party may terminate this contract by giving a notice in writing to the other party stating their intention to terminate the same on the expiration of Seven (7) days from the date of such notice. In addition, the Foundation may also terminate this contract forthwith in the event of any fraud, misconduct or neglect of duties on the part of the Consultant. Any notice to be given hereunder shall be sufficiently given to the Consultant if forwarded by registered post or by Courier Service to the last known postal address of the Consultant and shall be sufficiently given to the Foundation if similarly forwarded to the registered office. Upon the termination of this contract and payment of the said fees due up to such termination, and payment of all disbursements and out-of-pocket expenses incurred up to the date thereof (provided the same have been incurred after obtaining prior approval), the Consultant shall deliver all deeds, documents and paper in his possession relating to the business of the Foundation or as the Foundation shall direct, and shall continue to afford him all reasonable assistance for concluding pending matters at the date of such termination without making any charge thereof.

9. Force Majeure:

- (i) *Force majeure* as used herein means any unforeseeable and irresistible act of nature, any act of war (whether declared or not), invasion, revolution, insurrection, terrorism, or any other acts of a similar nature or force, *provided that* such acts arise from causes beyond the control and without the fault or negligence of the Consultant
- (ii) In the event of and as soon as possible after the occurrence of any cause constituting *force majeure*, the affected Party shall give notice and full particulars in writing to the other Party, of such occurrence or cause if the affected Party is thereby rendered unable, wholly or in part, to perform its obligations and meet its responsibilities under the Contract. The affected Party shall also notify the other Party of any other changes in condition or the occurrence of any event which interferes or threatens to interfere with its performance of the Contract. Not more than fifteen (15) days following the provision of such notice of *force majeure* or other changes in condition or occurrence, the affected Party shall also submit a statement to the other Party of estimated expenditures that will likely be incurred for the duration of the change in condition or the event of *force majeure*.
- (iii) On receipt of the notice or notices required hereunder, the Party not affected by the occurrence of a cause constituting *force majeure* shall take such action as it reasonably considers to be appropriate or necessary in the circumstances, including the granting to the affected Party of a reasonable extension of time in which to perform any obligations under the Contract.
- (iv) If the Consultant is rendered unable, wholly or in part, by reason of *force majeure* to perform its obligations and meet its responsibilities under the Contract, the Foundation shall have the right to suspend or terminate the Contract on the same terms and conditions as are provided for in this Contract.



10. Both the Foundation and the Consultant fully and freely intend to create an independent Contractor relationship under this Contract. Nothing herein shall be deemed to establish a partnership, joint venture, association or employment relationship between the parties. Both parties agree that the consultant has the right to sole and exclusive control over the manner and means employed in performing their activities under this Contract.

11. Settlement of disputes:

- (i) The Parties shall use their best efforts to amicably settle any dispute, controversy, or claim arising out of the Contract or the breach, termination, or invalidity thereof.

Any dispute, controversy, or claim between the Parties arising out of the Contract or the breach, termination, or invalidity thereof, unless settled amicably, within sixty (60) days after receipt by one Party of the other Party's written request for such amicable settlement, the matter shall be referred by either Party to arbitration in accordance with the Arbitration and Conciliation Act, 1996. The venue of the arbitration shall be Bangalore. Likewise, the jurisdiction will vest with courts in Bangalore.

Annexure-1A

Solar installation monitoring checklist				
Sl. No.	Observation point	If "Yes", then mark with (✓)	If "No", then mark with (X)	Remarks if any:
Solar Panels Setup				
1	Number of panels used in the installation matches with the number of panels mentioned in the B.O.M. sheet			
2	Panels installed have the same technical specifications as mentioned in the B.O.M. sheet			
3	Serial numbers, bar codes and manufacturing dates are present inside the panels			
4	Discoloration of the solar panels are not seen			
5	Damages are not seen on the solar panels (Both front & back sides)			
6	The solar panels are free from shadows			
7	Cables are tied to panel frame and are protected with conduit pipes			
8	Panels are mounted well within the roof area			
9	Panels are clamped and firm & stable			
10	R.C.C. roof, low elevation set-up: The wind shields are firmly fastened at the back of panels, along with concrete works/ballast blocks			
11	R.C.C. roof, regular set-up: Front side clearance from the roof surface and the panel is 2-feet			
12	R.C.C. roof, regular set-up: The length of concrete work is 1 ft. x 1 ft. x 1 ft. (LxBxH)			
13	R.C.C. roof, high elevation set-up: The length of concrete work is 1.5 ft. x 1.5 ft. x 1.5 ft. (LxBxH)			
14	The orientation of the panel is south facing (For sites in India)			



15	Tilt angle of the panel is as per the latitude of the location			
16	Tin roof: 4-Inch uniform elevation from the sheet roof and the panel is seen			
17	Tin roof wind deflectors: Wind deflectors are firmly fastened at the back of panels			
18	Tin roof: E.P.D.M./Silicone gel/Butyl sealant used			
19	M.M.S. & Panel are given earthing protection			
20	4 Sq. mm cable from panel-panel-M.M.S. are used, and 10 Sq. mm cable from M.M.S. to A.J.B. is used			
A.J.B. (Array Junction Box) Setup				
1	A.J.B.s have the same technical specifications as mentioned in the B.O.M. sheet			
2	Positive & negative lines are separated with separate termination blocks			
3	Positive lines have the in-line fuses provided			
4	PV1-F cables are used			
5	Cables used are of the specifications as mentioned in the B.O.M. sheet			
6	Cable colour codes are followed			
7	All cables are provided with solid conduit pipe protection			
8	A.J.B. is mounted firmly over the wall surface			
9	M.C.B.s, SPDs used in the A.J.B. are of the specifications as mentioned in B.O.M. copy			
10	Earthing down conductor is connected to S.P.D. and D.C. earth pit			
11	There are no physical damages seen at the A.J.B.'s body			
12	A.J.B. glands are tightened			
G.I.P.B. (Grid Input Protection Box) Setup				
1	G.I.P.B.s have the same technical specifications as mentioned in the B.O.M. sheet			
2	Cables used are of the specifications as mentioned in the B.O.M. sheet			
3	Cable colour codes are followed			
4	Cables are provided with solid conduit pipe protection			
5	G.I.P.B. is mounted firmly over the wall surface			
6	Earthing down conductor is connected to S.P.D. and A.C. earth pit			
7	M.C.B.s, S.P.D.s are of the specifications as mentioned in B.O.M. copy			
8	There are no physical damages seen at the G.I.P.B.'s body			
9	G.I.P.B. glands are tightened			
Battery Bank Setup				
1	No. of batteries used in the installation matches with the no. of batteries mentioned in the B.O.M. sheet			
2	Batteries have the same technical specifications as mentioned in the B.O.M. sheet			
3	Batteries have the serial number, barcode over them			



4	No physical damages are seen at the battery body			
5	Battery bank is placed in a clean, dust-free and dry place			
6	Battery room is well ventilated			
7	2-Inch ventilation space is provided between batteries			
8	There is no direct sunlight falling over the batteries			
9	Acid absorbent mat is provided at both the racks			
10	Petroleum based jelly/Vaseline is applied at all terminals of batteries			
11	Cable lugs are insulated			
12	Battery caps are firmly fixed at each terminal			
13	Battery cable size used should be as specified in the B.O.M. sheet			
14	Conduit pipe protection is provided to cables			
15	Float indicators are not damaged			
16	Distilled water level is up to the green mark of the indicator			
17	There are no fire and flammable materials placed/stored around the battery bank			
18	Minimum cable distance is maintained between battery bank and the inverter (No looping of cables)			
19	Cables don't have sharp bending			
20	Insulation mats are provided			
21	Battery rack setup is as per the specifications mentioned in the B.O.M. sheet			
D.C. Combiner Box Setup				
1	D.C.C.B has the same technical specifications as mentioned in the B.O.M. sheet			
2	D.C.C.B. is mounted firm on to the wall surface			
3	The number of H.R.C. fuses provided are as per the B.O.M. specifications			
4	H.R.C. fuse ratings are as per the B.O.M. specifications			
Charge Controller Setup (if Applicable)				
1	Charge Controllers have the same technical specifications as mentioned in the B.O.M sheet			
2	Charge Controllers have the serial number & barcode mentioned over them			
3	There are no damages seen on the Charge Controller body			
4	Charge Controller display is clearly readable			
5	Good ventilation space is provided around the Charge Controller			
6	There is no direct sunlight over the Charge Controller			
7	The Chargecontroller is placed in a clean, dust-free and dry place			
8	There are no flammable materials placed around the Chargecontroller			
9	Charge controller is easy to reach and easy to read the display parameters			
10	Cables entering and exiting the charge controller are intact, and there is no loose connection			



11	Cables connected with chargecontroller are given conduit pipe protection			
12	There are no warning /error messages seen on the display			
13	Cable sizes used are as per the B.O.M. specifications			
14	Cables don't coil or have sharp bendings			
15	Charge Controller is mounted firmly on the wall			
Inverter/P.C.U. Setup				
1	Inverters have the same technical specifications as mentioned in the B.O.M sheet			
2	Inverters have the serial number & barcode mentioned over them			
3	There are no damages seen on the inverter body			
4	Inverter display is clearly readable			
5	Inverter makes minimal noise during operations			
6	The room is well ventilated			
7	Good ventilation space is provided around the inverter			
8	3-inch ground clearance is provided for ventilation (< 2 kVA systems)			
9	There is no direct sunlight over the inverter			
10	The inverter is placed in a clean, dust-free and dry place			
11	There are no flammable materials placed around the inverter			
12	Inverter is easy to reach and easy to read the display parameters			
13	Cables entering the inverter are intact, and there is no loose connection			
14	Cables connected with inverter are given conduit pipe protection			
15	Priority settings are made as Solar-> Battery-> Grid			
16	Cable sizes used are as per the B.O.M. specifications			
17	Cables don't coil or lie on the floor			
18	Battery-Inverter distance is 50 cm. to 75 cm.			
19	Ground mounted: PCU is firm & stable on the resting platform			
20	Wall mounted: PCU is fixed firmly on the wall			
Changeover Switch Setup				
1	Changeover switches have the same technical specifications as mentioned in the B.O.M. sheet			
2	Labelling is made for both the changeover switches			
3	(In case of changeover switch-1) Connectivity for both solar and grid is checked			
4	(In case of changeover switch-1) The orientation of the switch is towards solar power			
5	(In case of changeover switch-2) Connectivity for both grid and generator are checked			
6	(In case of changeover switch-2) The orientation of the switch is towards grid power			



7	Changeover switches are firmly mounted on the walls			
8	Earthing protection is provided for the change-over switches including the doors			
Lightning Arrestor Setup				
1	Lightning arresters have specifications as mentioned in the B.O.M. sheet			
2	There are no physical damages seen to the L.A.s			
3	There is no corrosion seen in the L.A.s			
4	Insulation is provided between L.A.s & elevation pole (ceramic or porcelain insulators)			
5	Sheet roof: The entire L.A. set-up is firmly fixed over the roof surface using T-base			
6	R.C.C. roof: The entire L.A. set-up is firmly fixed over the roof surface using anchors and concrete blocks			
7	The L.A. set-up is given additional support by using support-wires			
8	R.C.C. roof: G.I. strips are supported with saddle insulators			
9	Sheet roof: G.I. strips are supported with capping-casing			
10	G.I. conductor strip does not make any contact with other D.C. cables or with any cables passing around			
11	The L.A. set-up stands vertical to the ground surface			
12	The L.A. maintains a distance of 0.75 metres from the panels			
13	The tip-height of the L.A. is 3-metre or more from the panel-top edge			
Earthing Pits Setup				
1	The no. of electrodes used, matches with the no. of electrodes mentioned in the B.O.M. sheet			
2	Electrodes have the same technical specifications as mentioned in the B.O.M. sheet			
3	There is no physical damages seen at the electrodes			
4	There is no corrosion seen over the electrodes			
5	The no. of earth pits made matches with the no. of earth pits as specified in the B.O.M. sheet			
6	Separate earth pit is provided for A.J.B., G.I.P.B., Inverter and lightning arrestor			
7	Chemical earthing is made, and the pit are filled with chemical powder, up to the tip/green mark of electrode			
8	Chambers are built around the earth pits			
9	Earth conductors are protected with conduit pipe, till the pits			
10	Earth conductors and electrodes are making full contact			
11	Distance between pit-to-pit is 3 meters			
12	Distance between pit to building foundation/water sump is 1.5 meters			
13	Earth electrodes are fully buried in the earth			
14	Earth pit diameter is 1-feet & 8-feet by depth			
15	Earthing pits are made at backyard of the centre			



16	Earthing cable are of the size as mentioned in the B.O.M.			
17	Earth pits are given identification/labelling (A.J.B., G.I.P.B., Inverter, L.A.)			
Cable Routing & Termination				
1	The sizes of the cables used, matches with the specifications as mentioned in the B.O.M. sheet			
2	Cable lugs are used for termination of cables			
3	Cable lugs are properly crimped			
4	Cable lugs are insulated			
5	There are no loose connections seen at the end termination points			
6	Cables are given solid conduit pipe protection along their entire run			
7	u.P.V.C. conduit pipes are used for cable protection			
8	M.C.-4 connectors are properly interlocked			
9	Cables don't make unnecessary loops/circles			
10	(In case of overhead transmission from block-to-block), cables are given G.I. wire support along with conduit pipe protection, and are given pole-support from sagging			
11	Labelling of cables/conduit pipes are done for the panels, batteries, inverter and load side			
12	Dressing/laying of conduit pipes are neatly done			
13	Conduit pipes are firmly held to building surfaces with metal clamps			
Fire Extinguisher Setup				
1	The specifications of the fire extinguisher is as per the specification in B.O.M. sheet			
2	The pointer of the indicator lies in the green zone			
3	Fire extinguisher is placed at the entrance of battery-inverter room			
4	Fire extinguisher is placed in cool place			
5	Fire extinguisher can be easily reached and picked up			
Luminaries Setup				
1	The no. of L.E.D. bulbs & tube lights installed matches with the numbers as specified in the B.O.M. sheet			
2	The specifications of the luminaries are as per the specifications in the B.O.M. sheet			
3	The luminaries installed are functional			
4	There are no physical damages seen on the luminaries			
5	The luminaries are fixed firm over the wall/ceiling			
Fan Setup				
1	The no. of fans & regulators installed, matches with the numbers as specified in the B.O.M. sheet			
2	The specifications of the fans & regulators, are as per the specifications in the B.O.M. sheet			
3	The installed fans and regulators are functional			



4	Fans and regulators are intact and there is no physical damages seen			
5	Fan regulators control the speed at different levels			
6	The fans are fixed firmly under the ceiling/on the wall			
Medical Equipment Setup				
1	The no. of medical equipment installed, matches with the numbers as specified in the B.O.M. sheet			
2	Medical equipment is assembled and are functional			
M.C.B.s, A.C., D.C. Isolators & Load Side Protection Setup				
1	A.J.B.'s M.C.B. ratings are as per the B.O.M. specifications			
2	A.J.B.'s S.P.D. ratings are as per the B.O.M. specifications			
3	G.I.P.B.'s M.C.B. ratings are as per the B.O.M. specifications			
4	G.I.P.B.'s S.P.D. ratings are as per the B.O.M. specifications			
5	Load M.C.B. rating is as per the B.O.M. specifications			
6	When PV isolator is used: Switch disconnecter installed is as per the B.O.M. specifications			
7	When battery isolator is used: Switch disconnecter installed is as per the B.O.M. specifications			
8	When grid isolator is used: Switch disconnecter installed is as per the B.O.M. specifications			
9	Isolator box is firmly mounted on the wall & is easy to reach			
Metal Plaque Setup				
1	Metal plaques are installed at the reception/main-entrance of the health centre			
2	Metal plaque is clearly visible to the visitors at the health centre			
3	Metal plaques are not damaged			
DOs and DON'Ts Plaque Setup				
1	DOs and DON'Ts practices foam plaques are pasted in the Battery/Inverter room			
2	Size of the foam plaques are as per the B.O.M. specifications			
3	Plaques have the emergency contact details and the customer-care details mentioned in them			
4	The plaques are firmly attached to the wall using round-clips			
5	Plaques are easy to reach and read.			
Luminaries, Fans & Medical equipment Plaque Setup				
1	The B.O.M. sheet containing number of fans, luminaries & medical equipment provided to the health centre is pasted in the battery-inverter room			
Load Details Plaque Setup				
1	The load details sheet containing the list of solar loads which are to be connected to inverter is pasted in the battery-inverter room			
Solar System - Single Line Diagram Setup				
1	The S.L.D. of the solar system installed, is pasted in the battery-inverter room, and it is firmly pasted			



Other Sign Boards Setup				
1	High voltage/caution sign board is pasted at the entrance of the battery-inverter room			
2	No-fire poster is pasted at the entrance of the battery-inverter room			
3	PASS poster (Fire extinguishing instructions) is pasted at the entrance of the battery-inverter room			
Import-Export Energy Meter				
1				
2				
Solar Energy Meter				
1				
2				
Complete System Functional Status				
1	Solar system functionality is normal without any fault/warning messages			
Solar System - Documentation				
1	In-efficient equipment handover document is cleared			
2	Solar system Asset handover document is cleared			
3	Installation completion report with electrical readings are made			
4	Warranty Cards (Solar Panel, Battery and Inverter) are submitted to health centre			
Load Wiring Installation Setup for Solar Loads (100% New Wiring)				
1	All critical solar loads (As specified in the load details) are connected to the solar system			
2	The new solar lines installed, are functional			
3	Non-solar loads (Heavy, inefficient loads) are connected to the grid lines			
4	RCCBs used are as per the B.O.M. specifications			
5	Isolators used are as per the B.O.M. specifications			
6	M.C.B.s used are as per the B.O.M. specifications			
7	A separate circuit connects only fans, bulbs and tube lights			
8	A separate circuit connects only sockets			
9	The sockets are functional			
10	The number of sockets installed matches with the numbers as specified in the B.O.M. sheet			
11	The specifications of the installed sockets are as per the B.O.M. specifications			
12	The switches are functional and have specifications as mentioned in B.O.M sheet			
13	The number of switches installed matches with the numbers as specified in the B.O.M. sheet			
14	Labelling of the circuits are made			



15	Cable sizes used are as per the B.O.M. specifications			
16	Separate earthing is provided for medical loads			
17	Cables are protected using u.P.V.C. conduit pipes			
Load Wiring Installation Setup for Heavy Loads (100% New Wiring)				
1	All heavy loads are connected to the Grid line			
2	The new Grid lines installed, are functional			
3	RCCBs used are as per the B.O.M. specifications			
4	Isolators used are as per the B.O.M. specifications			
5	M.C.B.s used are as per the B.O.M. specifications			
6	A separate circuit connects only sockets			
7	The sockets are functional			
8	The number of sockets installed matches with the numbers as specified in the B.O.M. sheet			
9	The specifications of the installed sockets are as per the B.O.M. specifications			
10	The switches are functional and have specifications as mentioned in B.O.M sheet			
11	The number of switches installed matches with the numbers as specified in the B.O.M. sheet			
12	Labelling of the circuits are made			
13	Cable sizes used are as per the B.O.M. specifications			
14	Separate earthing is provided for medical loads			
15	Cables are protected using u.P.V.C. conduit pipes			
Existing Cable Segregation for Solar Loads				
1	All critical solar loads (As specified in the load details) are connected to the solar system			
2	The Segregated solar lines are functional			
3	Non-solar loads (Heavy, inefficient loads) are excluded from the segregated solar lines			
4	RCCBs used are functional			
5	Isolators used are functional			
6	M.C.B.s used are functional			
7	A separate Segregated circuit connects only fans, bulbs and tube lights			
8	A separate Segregated circuit connects only sockets			
9	The sockets are functional			
10	The number of sockets connected matches with the numbers of loads			
11	The switches are functional			
12	The number of switches connected matches with the numbers of loads			
13	Labelling of the circuits are made			
14	Separate earthing is provided for medical loads			



Load Wiring - Single Line Diagram				
1	The S.L.D. of the load wiring installation (circuits) and the loads they are connected with, is pasted at the entrance of the battery-inverter room			
Load Wiring - Documentation				
1	Installation completion report is made			

Sl. No.	Image details	Minimum no of Pictures
1	Clear image of solar panels with Module mounting structure from a range in which gives better visibility (Please capture image with standard marking)	2
2	Clear image of batteries from a range in which gives better visibility including the water level (Please capture image with standard marking)	2
3	Clear image of inverter from a range in which gives better visibility (Front and back) (Please capture image with standard marking)	2
4	Clear image of the charge controller	2
5	Clear image of the inverter switch disconnectors & Load MCB	2
6	Clear image of cable routing from the complete system (Please capture image with standard marking)	2
7	Clear image of AJB	2
8	Clear image of GIPB	2
9	Clear image of Lightning Arrestor	2
10	Clear image of Earthing pits	2
11	Clear image of Changeover Switch	2
12	Clear Image of ACDB	2
13	Pictures of Load wiring cable routing	3
14	Pictures of Switches and Sockets	3
15	Pictures of Lights, Fans and Medical equipments connected to solar sockets	4
16	Clear image of DO's and Don'ts Poster	1
17	Clear image of Foam Palques (SLD, High Voltage, PASS, No Fire, Danger, Risk of Electric Shock)	1
18	Clear image of Metal Plaque	1
19	Clear image of Outdoor Light	1



20	Clear image of the Health Centre (Long Shot)	1
21	Clear image of Health staff with Solar system	1

Note: Pictures taken should cover all the details mentioned in the master checklist for each component

Annexure-1B

DC System

MONITORING OBSERVATION REPORT							
1	Name of Visitor						
2	Date						
3	Visit Number						
4	Date:						
5	Name & Address of Installation site:(Please mention the complete address of the site including Health facility name, address, state, district, block, P.O, Pin code etc.)						
Solar Installation Bill Of Material (DC System)							
S 1. N o.	Product	Serial Number	Capacity	Quantity	As per BOM Yes/No		
1	Solar Module						
2	Solar Battery						
3	Module Mounting Structure						
4	Solar Charge Controller (CCU)						
5	Copper Cable (Module - CCU) - PV 1F (Solar Cables)						
6	Copper Cable (Battery - Battery & Battery - CCU) - (DC Cables)						
7	Battery Trolley Box with Wheels - Hard Plastic						
8	MC4 Connector with Inline Fuse						
9	MC4 Connectors						
10	MC4 Connector Y Branch						



1	Double Pole MCB (load Side) with Conduit box						
1	Single Line Diagram (SLD) for the system						
1	Do's and Don'ts Practices Poster (Solar Panels, Battery and CCU)						
1	Signboards - Danger (Electric Shock), No Fire and PASS						
1	Fire Extinguisher						
1	Metallic Enclosure with isolators having minimum gap of 1 inch (PV & Battery)						
1	Consumables						

Bill of material (For luminaries & fans)

S l. N o.	Products	Make	Capacity	Installed Quantity	Balance Quantity	Additional Information	
1	LED Bulb						
2	LED Bulb						
3	LED Tube light						
4	LED Tube light						
6	Wall Mounted Fan						
7	Mobile Charging USB Port						

Date of recording:

Time of recording:

(Tick on the appropriate box)

Weather Condition at the time of recording

Clear Sky

Partially Cloudy

Over cast

Rainy

At the CCU (Input side)

Test Condition	Voltage in DC	Measured Value	Current in DC	Measured Value		
Measurement with Panel MCB OFF	Voc (in Volts)	String 1:	NA	NA		
		String 2:				
CCU Solar Panel Input MCB ON (Wait for 20 Seconds)	Vmp (in Volts)	Array:	NA	NA		
		String 1:				
		String 2:				
		Array:				

Battery Bank parameters (Load ON)

Particulars	Measured Value	Unit				
-------------	----------------	------	--	--	--	--



	Battery Bank Volatge		V			
	Battery Bank Current		A			
CCU parameters (Load ON)						
	Particulars	Measured Value	Unit			
	Load voltage/CCU output voltage		V			
	CCU Output current at full load (All solar loads turned on continuously for 5 minutes)		A			
CCU display & Setting						
		Particulars	Set Value	Unit	Particulars	Set Value
	CCU Settings	Load-disconnect Voltage:		V	Load-Reconnect Voltage	V
	Battery Settings	Ah:		Tubular/VRLA/LiFePO4		(Tick on the appropriate box)
Data to Be Captured for Solar Installation Side						
S l. N o	Description	Cable Size (Sq.mm)	Distance in Feet	Remarks		
1	CCU to Loads					
2	CCU to Loads					
3	CCU to Loads					
Details pertaining to local network provider in the area						
1	Mention the names of the network providers in the area (Select all that is applicable):	Airtel	BSNL	Idea/Vodafo ne	Jio	Othe rs (Spe cify):
2	Mention the names of reliable network providers in the area (Select all that is applicable):	Airtel	BSNL	Idea/Vodafo ne	Jio	Othe rs (Spe cify):

AC system

MONITORING OBSERVATION REPORT	
1	Name of Visitor
2	Date
3	Visit Number
4	Date:
5	Name & Address of Installation site: (Please mention the complete address of the site including Health facility name, address, state, district, block, P.O, Pin code etc.)



Solar Installation Bill Of Material (AC System)

S I. N o .	Product	Serial Number	Capacity	Quantity	As per BOM Yes/No	
1	Solar Module					
2	Solar Battery					
3	Module Mounting Structure					
4	Solar Inverter/PCU					
5	Changeover Switch / Bypass Switch - 1					
6	Changeover Switch / Bypass Switch - 2					
7	Copper cable (Module -Module) -PV1-F (Solar cables)					
8	Cables (or) Strips (Battery - Inverter) - (DC Cables)					
9	Copper Cable (Battery - Inverter) - (DC Cables)					
10	Copper Cable (Red + Black) (AJB - Inverter)- (DC Cables)					
11	DC Earthing (Panels + MMS + AJB)					
12	Earthing Cable (AJB, GIPB, Inverter & Battery Rack)					
13	Cable/down conductor for lightning arrestor					
14	Earthing Kit					
15	Lightning Protection System					
16	Grid Input Protection Box with AC SPD and AC MCB					
17	Battery trolley box with Wheels - Har Plastic					
18	Battery rack with Following: 1. Acid absorbent mat 2. Electrical Insulation mat					
19	Inverter Elevation Leg					
20	DC Combiner Box					
21	Solar Array Junction Box with AC MCB and AC SPD and String Fuse					
22	Load Side AC MCB with Conduit box					
23	Marking for AC earthing with Elevated Plaques (GIPB + Inverter + Loads)					
24	Marking for DC earthing with Elevated Plaques (AJB + MMS + Panels + Battery rack)					



25	Marking of Lightning Arrester Earthing with Elevated Plaques					
26	Single Line Diagram (SLD) for the system					
27	Do's and Don'ts Practices Poster (Solar Panels, Battery and Inverter)					
28	Signboards - Danger (Electric Shock & High Voltage), No Fire and PASS					
29	I/P and O/P wiring of Grid Connection- AC cable					
30	Fire Extinguisher					
31	Metallic enclosures with Isolator's having minimum gap of 1 inch (PV, Battery & Grid Input to Inverter)					
32	Consumables					

Bill of material (For luminaries & fans)

S l. N o .	Products	Make	Capacity	Installed Quantity	Balance Quantity	Additional Information
1	LED Bulb					
2	LED Bulb					
3	LED Tube light					
4	LED Tube light					
5	Ceiling Fan with regulators - Two Modular					
6	Wall Mounted Fan					
7	Outdoor light with automatic control switch (For Dusk to dawn operations)					
8	Outdoor light arm - Rust Free (GI Material)					
	Date of recording:		Time of recording:			
				(Tick on the appropriate box)		
	Weather Condition at the time of recording	Clear Sky	Partially Cloudy	Over cast	Rainy	
	At the AJB					
	Test Condition	Voltage	Measured Value	Current in DC	Measured Value	
	Measurement with Grid OFF + AJB MCB OFF	Voc (in Volts)	String 1: String 2: String 3: String 4:	NA	NA	



			Array:	NA	NA	
	Measurement with Grid OFF + AJB MCB ON	Vmp (in Volts)	String 1: String 2: String 3: String 4:	Imp (in Amperes)	String 1: String 2: String 3: String 4:	
			Array:		Array:	
Battery Bank parameters (With Grid OFF) and Load ON						
	Particulars	Measured Value	Unit			
	Battery Bank Volatge		V			
	Battery Bank Current		A			
1- Phase System - PCU/Inverter parameters						
	Measurement with Grid OFF			Measurement with Grid ON		
	Particulars	Measured Value	Unit	Particulars	Measur ed Value	Unit
	Load voltage/Inverter output voltage		V	Grid input voltage (Phase - Neutral)		V
	Inverter Output Frequency		Hz	Inverter Output Frequency		Hz
	Inverter output current at full load (All solar loads turned on continuously for 10 minutes)		A	Grid input voltage (Neutral- Earth)		V
3 - Phase System - PCU/Inverter parameters						
	Measurement with Grid OFF			Measurement with Grid ON		
	Particulars	Measured Value	Unit	Particulars	Measur ed Value	Unit
	Load voltage/Inverter output voltage (Red & Neutral)		V	Grid Input Voltage (Red & Neutral)		V
	Inverter output frequency (Red & Neutral)		Hz	Grid Input Frequency (Red & Neutral)		Hz
	Inverter output current at full load (Red & Neutral) (All solar loads turned on continuously for 10 minutes)		A	Grid Input Voltage (Yellow & Neutral)		V
	Load voltage/Inverter output voltage (Yellow & Neutral)		V	Grid Input Frequency (Yellow & Neutral)		Hz
	Inverter output frequency (Yellow & Neutral)		Hz	Grid Input Voltage (Blue & Neutral)		V
	Inverter output current at full load (Yellow & Neutral) (All solar loads turned on continuously for 10 minutes)		A	Grid Input Frequency (Blue & Neutral)		Hz
	Load voltage/Inverter output voltage (Blue & Neutral)		V	Grid Input Voltage (Red & Yellow)		V

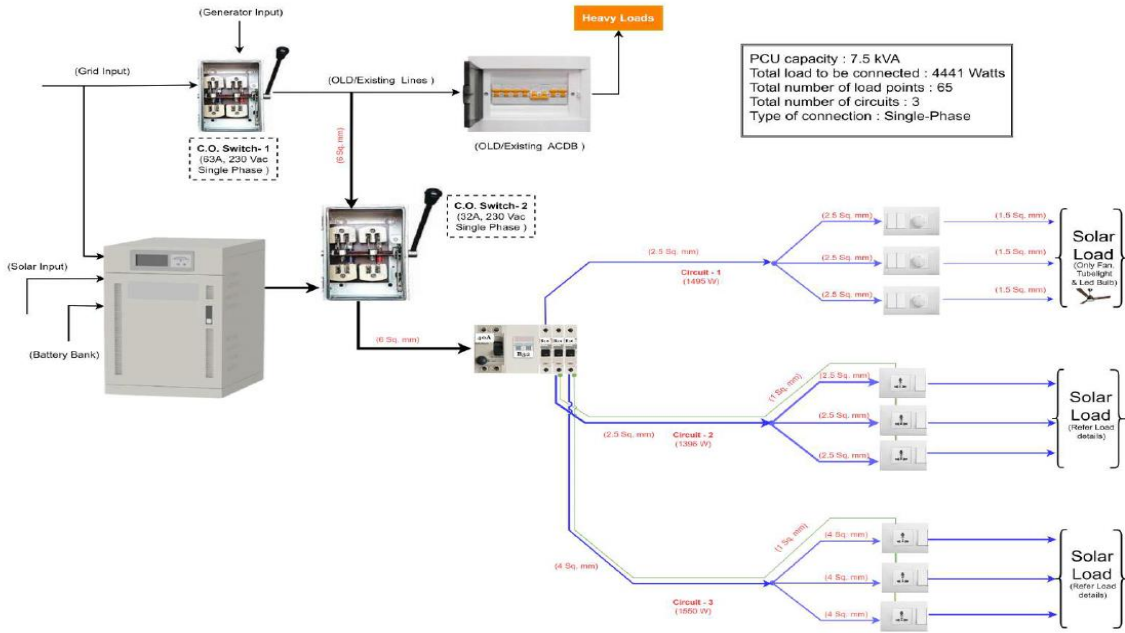


Inverter output frequency (Blue & Neutral)		Hz	Grid Input Frequency (Red & Yellow)		Hz
Inverter output current at full load (Blue & Neutral) (All solar loads turned on continuously for 10 minutes)		A	Grid Input Voltage (Blue & Yellow)		V
Inverter output voltage between Red & Yellow		V	Grid Input Frequency (Blue & Yellow)		Hz
Inverter output voltage between Red & Blue		V	Grid Input Voltage (Red & Blue)		V
Inverter output voltage between Yellow & Blue		V	Grid Input Frequency (Red & Blue)		Hz
PCU/Inverter display & setting					
For both 1-Phase & 3-Phase connectivity					
Inverter Priority Settings	Solar Priority	Grid Priority	(Tick on the appropriate box)		
Battery Settings	Ah: 150 / 170 / 180 / 190 / 200	Tubular/VRLA/LiFeP O4			
The load is running on:	Inverter	Grid	(Tick on the appropriate box)		
Changeover Switch settings					
Changeover switch orientation is:	Solar	Grid	(Tick on the appropriate box)		
Is change over switch functional for both solar & grid?	Yes	No	(Tick on the appropriate box)		
Measurements at Sockets (For both 1-Phase & 3-Phase connectivity)					
Particulars	Measured Value	Unit			
Voltage between Phase & Neutral		V			
Voltage between Phase & Earth		V			
Voltage between Earth & Neutral		V			
New ACDB for Solar Loads / heavy Loads (100% new load wiring)					
Demo testing of Lines using Temporary Connection					
Test Condition	Rating	Working Yes/No	Remarks		
RCCB 1					
RCCB 2					
RCCB 3					
MCB 1					
MCB 2					
MCB 3					
MCB 4					

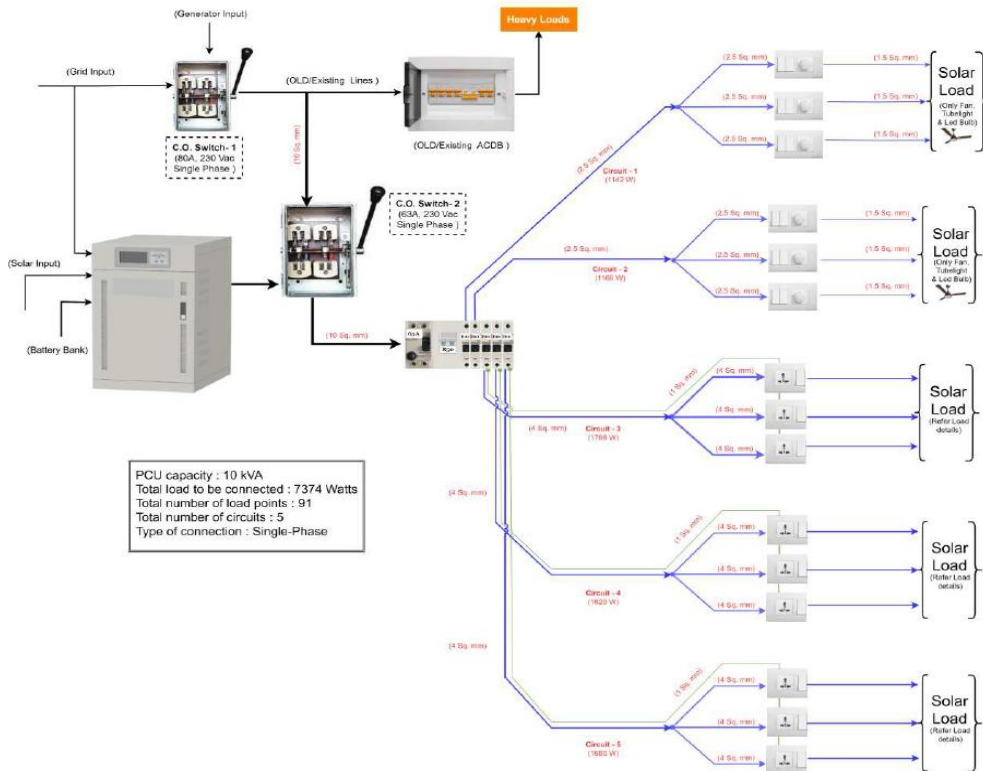


	MCB 5					
	Socket 16A					
	Socket 6A					
	Switch 16 A					
	Switch 6 A					
	Fan points and Regulator					
	Outdoor Light					
	Old ACDB for Solar Loads (Cables Segregation)					
	Test Condition		Working Yes/No	Remarks		
	RCCB 1					
	RCCB 2					
	RCCB 3					
	MCB 1					
	MCB 2					
	MCB 3					
	MCB 4					
	MCB 5					
	Socket 16A					
	Socket 6A					
	Switch 16 A					
	Switch 6 A					
	Fan points and Regulator					
	Outdoor Light					
Data to Be Captured for Solar Installation Side						
S l. N o	Description	Cable Size (Sq.mm)	Distance in Feet	Remarks		
1	ACDB to Loads					
2	ACDB to Loads					
3	ACDB to Loads					
4	ACDB to Loads					
5	ACDB to Loads					
6	ACDB to Loads					
Details pertaining to local network provider in the area						
1	Mention the names of the network providers in the area (Select all that is applicable):	Airtel	BSNL	Idea/Vodafone	Jio	Others (Specify):
2	Mention the names of reliable network providers in the area (Select all that is applicable):	Airtel	BSNL	Idea/Vodafone	Jio	Others (Specify):

Load Wiring SLD For Primary Health Center Option 2



Load Wiring SLD For Primary Health Center Option 3





Annexure-1E&F

TECHNICAL SPECIFICATIONS OF SOLUTIONS

Primary Health Centre:

Option 1:

Bill of Materials for Solar System :

Sl. No	Products	Capacity	Qty
1	Solar Module	Solar Photovoltaic Array of Minimum Capacity 545 Wp (Monoperc) Panel Make and Model should be approved under MNRE ALMM List	10 Nos
2	Solar Battery	Valve regulated lead-acid (VRLA) battery - 150 Ah @ 12 V, C – 10 (Battery terminal caps used, must be big enough to cover the entire terminal area and the nut bolt assembly. Also, spring washers to be used at each battery terminal).	8 Nos
3	Module Mounting Structure (MMS*)	Solar PV Module support structure. RCC Roof: Lower elevation/Landscape Orientation (Triangular MMS with concrete block). Tin Roof: Aluminium - Mini Rails It should withstand the wind speed of 200 – 250 km/hr It should be suitable for above mentioned solar module - As per Sl.No. 1	1 Set.
4	Solar Inverter/PCU - 230 Vac, 50 Hz	Total Minimum Capacity 6 kVA, 96 V – MPPT based Single Phase Supply, With Data Port (RS 485) Output	1 No.
5	Changeover / Bypass Switch - 1 (DG – Grid – Solar & Non-Solar Loads)	63 A, 230 Vac (Single Phase)	1 No.
6	Changeover / Bypass Switch - 2 (PCU - Grid - Solar Loads)	32 A, 230 Vac (Single Phase)	1 No.
7	Copper Cable Red+Black (Module – Module - AJB) - PV1-F (Solar Cables)	6 sq.mm UV Protected Cable	80 m
8	Copper Cable Red + Black (AJB - Inverter) - (DC Cables)	10 sq.mm	20 m
9	Copper Cable (Battery -Battery & Battery - Inverter) - (DC Cables)	16 Sq.mm (Tin-coated copper lugs with insulation to be used at each battery terminal).	15 m
10	DC Earthing (Panels + MMS)	Panel to Panel, Panel to MMS, MMS leg to Main Earthing Terminal (MET) -Grounding Lugs with 4 sq.mm earthing cable should be used.	15 m



11	Earthing Cable (AJB, GIPB, Inverter)	16 Sq.mm (Tin-coated copper lugs with insulation to be used at the cable-earth electrode interface).	45 m
12	Cable/Down conductor for Lightning Arrestor	Insulated (outdoor) GI strip of size 25 x 3 mm to be used. Each joint should consist of 2 - hexagonal nut and bolt assembly. Saddle insulators to be provided along the length of the down conductor. Termination to the earthing electrode using SS Test links with clamps	30 m + 30 m
13	Earthing Kit <ul style="list-style-type: none"> ● LA - 1 ● LA - 2 ● GIPB+Inverter+Loads+ Changeover 1 &2 ● MMS+AJB+Switch Disconnecter+Battery rack 	Solid electrode (Steel) Bonded copper – 16 mm diameter, 2000 mm long with 250 microns Bonding thickness, tin-coated copper lugs with insulation, clamps with nut-bolts assembly. protective concrete construction (Chamber) to earthing pit (L x B x H - 1.5 x 1.5 x 1.5 feet) with Metallic/FRP lid should be made. Earthing pit size should be minimum of 6 inch diameter and should be filled with back fill compound. Typology – Equipotential (Refer Annexure 2)	4 Set
14	Lightning Protection System	Lightning arrestor Solid Aluminium Alloy of 15 mm diameter and 2000 mm long with base plate should be used. GI Elevation pole 40 mm diameter, 3000 mm height. Supporting wires to be incorporated for stability to withstand wind speed of 200 – 250 km/hr. Ceramic insulation to be provided between lightning arrestor base plate and GI elevation pole.	2 Set
15	Grid Input Protection Box with SPD and MCB	MCB Rating : 230 Vac, 32 A (Double Pole) SPD Rating : 320 Vac, Type 2, 40 kA (Double pole with indicators) Inter connection of the components inside the GIPB should be 6 Sq.mm	1 No.
16	Double row battery rack with the following: Electrical Insulation mat (Minimum 0.4 kV)	As per Solar Battery SI. No. - 2 (Each leg should be given a base flat plate) The elevation height of battery rack should be 3 inch and should be with fireproof material and corrosion free (GI rack is preferable). In the battery rack, each joints should be with nut and bolt assembly and should not be with any type of welding assembly.	1 Set.
17	Inverter rack with the following: Electrical Insulation mat (Minimum 0.4 kV)	(Each leg should be given a base flat plate) The elevation height of Inverter rack should be 3 inch and should be with fireproof material and corrosion free (GI rack is preferable). In the Inverter rack, each joints should be with nut and bolt assembly and should not be with any type of welding assembly.	1 Set.
18	Solar Array Junction Box with MCB and SPD and String Fuse.	2 IN 1 OUT MCB Rating : 500 Vdc, 40 A (Double Pole) SPD Rating: 300 Vdc, Type 2, 40 KA (Double pole with indicators) Inline DC Fuse rating*: (+ve Strings): 20 A X 2 nos. Inter connection of the components inside the AJB should be DC cable of 10 Sq.mm	1 No.



19	Load Side MCB with Conduit box	MCB Rating: 25 A, 230 Vac (Double Pole)	1 No.
20	Marking for AC earthing with Elevated Plaques (GIPB+Inverter+Loads+Changeover 1 & 2)	Elevation pole length - 3 Feet. Metal plaque dimension - A5	1 No.
21	Marking for DC earthing with Elevated Plaques (AJB+MMS+Panels+Switch Disconnecter+Battery rack)	Elevation pole length - 3 Feet. Metal plaque dimension - A5	1 No.
22	Marking of Lightning Arrester Earthing with Elevated Plaques	Elevation pole length - 3 Feet. Metal plaque dimension - A5	2 Nos.
23	Single Line Diagram (SLD) for the system	Sun board with 3 mm Thickness - 4 ft x 2 ft	1 No.
24	Do's and Don'ts Practices Poster (Solar Panels, Battery and Inverter)	Foam Plaque - A4 Size for each	1 No.
25	Signboard for Danger, No Fire and PASS	Danger - Electric shock – A4 Danger - High Voltage – A4 No Fire – A5 PASS - A4	1 No each
26	I/P and O/P wiring of Grid Connection- AC cable	6 Sq. mm.	30 m
27	Fire Extinguisher	Multi-Purpose - ABC Dry powder extinguishing agents (or) CO2 type with 6 kg net weight of the charge inside the cylinder.	1 No
28	Metallic Enclosure with Isolator's having minimum gap of 1 inch. (PV, Battery & Grid Input to Inverter)	1st Switch for Battery Input - 63 A, 500 Vdc, Double Pole 2nd Switch for PV Input – 63 A, 500 Vdc, Double Pole 3rd Switch for Grid Input – 40 A, 230 Vac, Double Pole	1 Set
29	Consumables	Includes: UPVC pipes and fittings, Flexible pipes, Screws, Nuts and Bolts etc	1 Set



Bill of Materials for Load Wiring:

Sl.no	Item	Description	UoM	Qty
1	AC Distribution Box	6-way, Single phase, Double door, Wall mounting type, DIN rail, Neutral busbar, Earth busbar.	Pcs	1
2	RCCB	30mA, 32 A, AC, Double Pole, 10 kA, 230 Vac	Pcs	1
3	Main MCB	25 A, AC, Double pole, B-curve, 10 kA, 230 Vac	Pcs	1
4	MCB Circuit - 1	10 A, AC, Single Pole, B Curve, 10 kA, 230 vac	Pcs	1
5	MCB Circuit - 2	10 A, AC, Single Pole, B Curve, 10 kA, 230 vac	Pcs	1
6	Socket (Modular)	3 pin, 6 A, 230 V, (White colour).	Pcs	9
7	Switch (Modular)	6 A, 1-Way, 240 V, (White colour).	Pcs	48
8	16 A Combo Socket with Fuse and Box	5-Pin, 16 A, 240 V, Socket, FR polycarbonate material (White Colour)	Pcs	5
9	Power Cable - 1 (Red)	1.5 Sq. mm, EFFR copper cables. (Interconnecting switchboards with loads)	Mtrs	100
	Power Cable - 1 (Black)	1.5 Sq. mm, EFFR copper cables. (Interconnecting switchboards with loads)	Mtrs	100
10	Power Cable - 2 (Red)	2.5 Sq. mm, EFFR copper cables. (Interconnecting distribution box with switchboards)	Mtrs	100
	Power Cable - 2 (Black)	2.5 Sq. mm, EFFR copper cables. (Interconnecting distribution box with switchboards)	Mtrs	100
11	Power Cable - 2 (Red)	4 Sq. mm, EFFR copper cables. (Interconnecting distribution box with switchboards)	Mtrs	75
	Power Cable - 2 (Black)	4 Sq. mm, EFFR copper cables. (Interconnecting distribution box with switchboards)	Mtrs	75
12	Earthing Cable (Green)	1 Sq. mm, EFFR copper cables. (Interconnecting earth pin (3-pin sockets) with new distribution box)	Mtrs	50
13	Earthing Cable (Green)	16 Sq. mm, EFFR copper cables. (Cable from AC Distribution box to Earth Pit)	Mtrs	30
14	Ceiling Rose	6 A, 240 V, FR polycarbonate outer housing with ducts, Inner metal ring with high conductive brass terminals (White colour).	Pcs	17
15	1 modular Switch Box with plate	Surface mounting type, ABS material with brass studs, Provision for conduits. (White colour)	Pcs	8
16	2 modular Switch Box with plate	Surface mounting type, ABS material with brass studs, Provision for conduits. (White colour)	Pcs	15



17	3 modular Switch Box with plate	Surface mounting type, ABS material with brass studs, Provision for conduits. (White colour)	Pcs	15
18	4 modular Switch Box with plate	Surface mounting type, ABS material with brass studs, Provision for conduits. (White colour)	Pcs	10
19	6 modular Switch Box with plate	Surface mounting type, ABS material with brass studs, Provision for conduits. (White colour)	Pcs	12
20	8 modular Switch Box with plate	Surface mounting type, ABS material with brass studs, Provision for conduits. (White colour)	Pcs	12
21	Modular Box Blank plate (Dummy)	Dummy Modular	Pcs	10
22	UPVC Conduit Pipe (White)	Polypropylene material, 20 mm diameter, White colour, Flame retardant, Anti-distortion.	Pcs	100
23	UPVC - Coupler (White)	UPVC pipe (White color), 19 mm diameter, Flame retardant, Low halogen, Low smoke, Smoke suppressing, Temperature stable.	Pcs	20
24	UPVC Conduit Tee Joint	UPVC pipe (White color), 19 mm diameter, Flame retardant, Low halogen, Low smoke, Smoke suppressing, Temperature stable.	Pcs	40
25	UPVC - Short & Long Elbow (White)	UPVC material, 19 mm diameter, White colour, Flame retardant, Low halogen, Low smoke, Smoke suppressing, Temperature stable. "	Pcs	40
26	2way Junction Box	UPVC material, 19 mm diameter, White colour, Flame retardant, Low halogen, Low smoke, Smoke suppressing, Temperature stable.	Pcs	15
27	3way Junction Box	UPVC material, 19 mm diameter, White colour, Flame retardant, Low halogen, Low smoke, Smoke suppressing, Temperature stable.	Pcs	40
28	4way Junction Box	UPVC material, 20 mm diameter, White colour, Flame retardant, Low halogen, Low smoke, Smoke suppressing, Temperature stable.	Pcs	15
29	Square Box		Pcs	30
30	Plastic wall lug	UPVC material, Size - 25 x 5 mm, Crack-proof, White colour, Eco-friendly.	Packs	2
31	Screw	Stainless steel/Galvanized Iron - rust-free material, Size - 35 x 8 mm, Flat head with deep slot.	Packs	4
32	Screw	Stainless steel/Galvanized Iron - rust-free material, Size - 25 x 7 mm, Flat head with deep slot.	Packs	2
33	Electrical Insulating Tape	Size - 18 x 0.125 mm, High insulating resistance, Moisture & Corrosion resistant, Flame-retardant, Long-lasting adhesion.	Pcs	12
34	Pipe Saddle Clamps	UPVC material, Size: 20 mm diameter, Light duty pipe clamp, Single nail.	Pcs	200



35	Saddle Nail	Concrete nail Size - 1.5 inch GI/ Astel string steel	kg	0.6
36	Cable Tie	Polypropylene Material, Size – 150 mm, White Colour.	Packs	2
37	Cable Lugs - 1	2.5 Sq.mm, Pin-type, Tin-coated copper.	Pcs	10
38	Cable Lugs - 1	4 Sq.mm, Pin-type, Tin-coated copper.	Pcs	10
39	Flexible Pipe	Polypropylene material, 20 mm diameter, White colour, Flame retardant, Anti-distortion.	Mtrs	10
40	Labelling Tags (Load identification tags)	Size - 3 x 1 Inch, Synthetic paper, Self-adhesive, Fluorescent Green colour, Waterproof, Temperature resistant.	Pack	1
41	Labelling Tags (Cable identification tags)	Size - 40 x 10 mm Synthetic paper, Self-adhesive, White colour, Waterproof, Temperature resistant.	Pack	1
42	Labelling Pen 1 Marker Pen	Line Width - 0.4 mm Dark black colour water resistance, Temperature resistance	Pcs	1
43	Labelling Pen 2 Marker Pen	Line Width - 2 mm Dark black colour water resistance, Temperature resistance	Pcs	1

Bill of Materials for Luminaries:

Sl.no	Products	Capacity	Qty
1	LED Tube light	20 W, 230 Vac	12 Nos
2	LED Bulb	9 W, 230 Vac	13 Nos
3	Outdoor Light with automatic control switch (For dusk-to-dawn operation)	20 W, 230 Vac	2 Nos.
3.1	Outdoor Light Arm - Rust Free (GI Material)		2 Nos.

Option 2:

Bill of Materials for Solar System :

Sl. No	Products	Capacity	Qty
1	Solar Module	Solar Photovoltaic Array of Minimum Capacity 545 Wp (Monoperc) Panel Make and Model should be approved under MNRE ALMM List	12 Nos



2	Solar Battery	Valve regulated lead-acid (VRLA) battery - 180 Ah @ 12 V, C – 10 (Battery terminal caps used, must be big enough to cover the entire terminal area and the nut bolt assembly. Also, spring washers to be used at each battery terminal).	8 Nos
3	Module Mounting Structure (MMS*)	Solar PV Module support structure. RCC Roof: Lower elevation/Landscape Orientation (Triangular MMS with concrete block). Tin Roof: Aluminium - Mini Rails It should withstand the wind speed of 200 – 250 km/hr It should be suitable for above mentioned solar module - As per Sl.No. 1	1 Set.
4	Solar Inverter/PCU - 230 Vac, 50 Hz	Total Minimum Capacity 7.5 kVA, 96 V – MPPT based Single Phase Supply, With Data Port (RS 485) Output	1 No.
5	Changeover / Bypass Switch-1 (DG – Grid – Solar & Non-Solar Loads)	63 A, 230 Vac (Single Phase)	1 No.
6	Changeover / Bypass Switch - 2 (PCU -Grid - Solar Loads)	32 A, 230 Vac (Single Phase)	1 No.
7	Copper Cable Red+Black (Module – Module - AJB) - PV1-F (Solar Cables)	6 sq.mm UV Protected Cable	96 m
8	Copper Cable Red + Black (AJB - Inverter) - (DC Cables)	10 sq.mm	20 m
9	Copper Cable (Battery -Battery & Battery - Inverter) - (DC Cables)	16 Sq.mm (Tin-coated copper lugs with insulation to be used at each battery terminal).	15 m
10	DC Earthing (Panels + MMS)	Panel to Panel, Panel to MMS, MMS leg to Main Earthing Terminal (MET) -Grounding Lugs with 4 sq.mm earthing cable should be used.	15 m
11	Earthing Cable (AJB, GIPB, Inverter & Battery rack)	16 Sq.mm (Tin-coated copper lugs with insulation to be used at the cable-earth electrode interface).	45 m
12	Cable/Down conductor for LightningArrestor	Insulated (outdoor) GI strip of size 25 x 3 mm to be used. Each joint should consist of 2 - hexagonal nut and bolt assembly. Saddle insulators to be provided along the length of the down conductor. Termination to the earthing electrode using SS Test links with clamps	30 m + 30 m
13	Earthing Kit ● LA - 1 ● LA - 2 ● GIPB+Inverter+Loads+ Changeover 1 & 2 ● MMS+AJB+Switch	Solid electrode (Steel) Bonded copper – 16 mm diameter, 2000 mm long with 250 microns Bonding thickness, tin-coated copper lugs with insulation, clamps with nut-bolts assembly. protective concrete construction (Chamber) to earthing pit (L x B x H - 1.5 x 1.5 x 1.5 feet) with Metallic/FRP lid should be made. Earthing pit size should be minimum of 6 inch diameter and should be filled with back fill compound.	4 Set



	Disconnecter+Battery rack	Typology – Equipotential (Refer Annexure 2)	
14	Lightning Protection System	Lightning arrester Solid Aluminium Alloy of 15 mm diameter and 2000 mm long with base plate should be used. GI Elevation pole 40 mm diameter, 3000 mm height. Supporting wires to be incorporated for stability to withstand wind speed of 200 – 250 km/hr. Ceramic insulation to be provided between lightning arrester base plate and GI elevation pole.	2 Set
15	Grid Input Protection Box with SPD and MCB	MCB Rating : 230 Vac, 32 A (Double Pole) SPD Rating : 320 Vac, Type 2, 40 kA (Double pole with indicators) Inter connection of the components inside the GIPB should be 6 Sq.mm	1 No.
16	Double row battery rack with the following: Electrical Insulation mat (Minimum 0.4 kV)	As per Solar Battery Sl. No. - 2 (Each leg should be given a base flat plate) The elevation height of battery rack should be 3 inch and should be with fireproof material and corrosion free (GI rack is preferable). In the battery rack, each joints should be with nut and bolt assembly and should not be with any type of welding assembly.	1 Set.
17	Inverter rack with the following: Electrical Insulation mat (Minimum 0.4 kV)	(Each leg should be given a base flat plate) The elevation height of Inverter rack should be 3 inch and should be with fireproof material and corrosion free (GI rack is preferable). In the Inverter rack, each joints should be with nut and bolt assembly and should not be with any type of welding assembly.	1 Set.
18	Solar Array Junction Box with MCB and SPD and String Fuse.	2 IN 1 OUT MCB Rating : 500 Vdc, 40 A (Double Pole) SPD Rating: 400 Vdc, Type 2, 40 KA (Double pole with indicators) Inline DC Fuse rating*: (+ve Strings): 20 A X 2 nos. Inter connection of the components inside the AJB should be DC cable of 10 Sq.mm	1 No.
19	Load Side MCB with Conduit box	MCB Rating: 32 A, 230 Vac (Double Pole)	1 No.
20	Marking for AC earthing with Elevated Plaques (GIPB+Inverter+Loads+ Change over 1 & 2)	Elevation pole length - 3 Feet. Metal plaque dimension - A5	1 No.
21	Marking for DC earthing with Elevated Plaques (AJB+MMS+Panels+Switch Disconnecter+Battery)	Elevation pole length - 3 Feet. Metal plaque dimension - A5	1 No.



22	Marking of Lightning Arrester Earthing with Elevated Plaques	Elevation pole length - 3 Feet. Metal plaque dimension - A5	2 Nos.
23	Single Line Diagram (SLD) for the system	Sun board with 3 mm Thickness - 4 ft x 2 ft	1 No.
24	Do's and Don'ts Practices Poster (Solar Panels, Battery and Inverter)	Foam Plaque - A4 Size for each	1 No.
25	Signboard for Danger, No Fire and PASS	Danger - Electric shock – A4 Danger - High Voltage – A4 No Fire – A5 PASS - A4	1 No each
26	I/P and O/P wiring of Grid Connection- AC cable	6 Sq. mm.	30 m
27	Fire Extinguisher	Multi-Purpose - ABC Dry powder extinguishing agents (or) CO2 type with 6 kg net weight of the charge inside the cylinder.	1 No
28	Metallic Enclosure with Isolator's having minimum gap of 1 inch. (PV, Battery & Grid Input to Inverter)	1st Switch for Battery Input - 63 A, 500 Vdc, Double Pole 2nd Switch for PV Input – 63 A, 500 Vdc, Double Pole 3rd Switch for Grid Input – 40 A, 230 Vac, Double Pole	1 Set
29	Consumables	Includes: UPVC pipes and fittings, Flexible pipes, Screws, Nuts and Bolts etc	1 Set



Bill of Materials for Load Wiring:

Sl.no	Item	Description	UoM	Qty
1	AC Distribution Box	8-way, Single phase, Double door, Wall mounting type, DIN rail, Neutral busbar, Earth busbar.	Pcs	1
2	RCCB	30mA, 40 A, AC, Double Pole, 10 kA, 230 Vac	Pcs	1
3	Main MCB	32 A, AC, Double pole, B-curve, 10 kA, 230 Vac	Pcs	1
4	MCB Circuit - 1	10 A, AC, Single Pole, B Curve, 10 kA, 230 vac	Pcs	1
5	MCB Circuit - 2	10 A, AC, Single Pole, B Curve, 10 kA, 230 vac	Pcs	1
6	MCB Circuit - 3	16 A, AC, Single Pole, B Curve, 10 kA, 230 vac	Pcs	1
7	Socket (Modular)	3 pin, 6 A, 230 V, (White colour).	Pcs	10
8	Switch (Modular)	6 A, 1-Way, 240 V, (White colour).	Pcs	57
9	16 A Combo Socket with Fuse and Box	5-Pin, 16 A, 240 V, Socket, FR polycarbonate material (White Colour)	Pcs	8
10	Power Cable - 1 (Red)	1.5 Sq. mm, EFFR copper cables. (Interconnecting switchboards with loads)	Mtrs	100
	Power Cable - 1 (Black)	1.5 Sq. mm, EFFR copper cables. (Interconnecting switchboards with loads)	Mtrs	100
11	Power Cable - 2 (Red)	2.5 Sq. mm, EFFR copper cables. (Interconnecting distribution box with switchboards)	Mtrs	100
	Power Cable - 2 (Black)	2.5 Sq. mm, EFFR copper cables. (Interconnecting distribution box with switchboards)	Mtrs	100
12	Power Cable - 2 (Red)	4 Sq. mm, EFFR copper cables. (Interconnecting distribution box with switchboards)	Mtrs	100
	Power Cable - 2 (Black)	4 Sq. mm, EFFR copper cables. (Interconnecting distribution box with switchboards)	Mtrs	100
13	Earthing Cable (Green)	1 Sq. mm, EFFR copper cables. (Interconnecting earth pin (3-pin sockets) with new distribution box)	Mtrs	50
14	Earthing Cable (Green)	16 Sq. mm, EFFR copper cables. (Cable from AC Distribution box to Earth Pit)	Mtrs	30
15	Ceiling Rose	6 A, 240 V, FR polycarbonate outer housing with ducts, Inner metal ring with high conductive brass terminals (White colour).	Pcs	23



16	1 modular Switch Box with plate	Surface mounting type, ABS material with brass studs, Provision for conduits. (White colour)	Pcs	10
17	2 modular Switch Box with plate	Surface mounting type, ABS material with brass studs, Provision for conduits. (White colour)	Pcs	17
18	3 modular Switch Box with plate	Surface mounting type, ABS material with brass studs, Provision for conduits. (White colour)	Pcs	16
19	4 modular Switch Box with plate	Surface mounting type, ABS material with brass studs, Provision for conduits. (White colour)	Pcs	13
20	6 modular Switch Box with plate	Surface mounting type, ABS material with brass studs, Provision for conduits. (White colour)	Pcs	15
21	8 modular Switch Box with plate	Surface mounting type, ABS material with brass studs, Provision for conduits. (White colour)	Pcs	15
22	Modular Box Blank plate (Dummy)	Dummy Modular	Pcs	10
23	UPVC Conduit Pipe (White)	Polypropylene material, 20 mm diameter, White colour, Flame retardant, Anti-distortion.	Pcs	110
24	UPVC - Coupler (White)	UPVC pipe (White color), 19 mm diameter, Flame retardant, Low halogen, Low smoke, Smoke suppressing, Temperature stable.	Pcs	25
25	UPVC Conduit Tee Joint	UPVC pipe (White color), 19 mm diameter, Flame retardant, Low halogen, Low smoke, Smoke suppressing, Temperature stable.	Pcs	40
26	UPVC - Short & Long Elbow (White)	UPVC material, 19 mm diameter, White colour, Flame retardant, Low halogen, Low smoke, Smoke suppressing, Temperature stable. "	Pcs	40
27	2way Junction Box	UPVC material, 19 mm diameter, White colour, Flame retardant, Low halogen, Low smoke, Smoke suppressing, Temperature stable.	Pcs	20
28	3way Junction Box	UPVC material, 19 mm diameter, White colour, Flame retardant, Low halogen, Low smoke, Smoke suppressing, Temperature stable.	Pcs	50
29	4way Junction Box	UPVC material, 20 mm diameter, White colour, Flame retardant, Low halogen, Low smoke, Smoke suppressing, Temperature stable.	Pcs	20
30	Square Box		Pcs	38
31	Plastic wall lug	UPVC material, Size - 25 x 5 mm, Crack-proof, White colour, Eco-friendly.	Packs	2
32	Screw	Stainless steel/Galvanized Iron - rust-free material, Size - 35 x 8 mm, Flat head with deep slot.	Packs	4
33	Screw	Stainless steel/Galvanized Iron - rust-free material, Size - 25 x 7 mm, Flat head with deep slot.	Packs	2



34	Electrical Insulating Tape	Size - 18 x 0.125 mm, High insulating resistance, Moisture & Corrosion resistant, Flame-retardant, Long-lasting adhesion.	Pcs	12
35	Pipe Saddle Clamps	UPVC material, Size: 20 mm diameter, Light duty pipe clamp, Single nail.	Pcs	220
36	Saddle Nail	Concrete nail Size - 1.5 inch GI/ Astel string steel	kg	0.6
37	Cable Tie	Polypropylene Material, Size – 150 mm, White Colour.	Packs	2
38	Cable Lugs - 1	2.5 Sq.mm, Pin-type, Tin-coated copper.	Pcs	15
39	Cable Lugs - 1	4 Sq.mm, Pin-type, Tin-coated copper.	Pcs	15
40	Flexible Pipe	Polypropylene material, 20 mm diameter, White colour, Flame retardant, Anti-distortion.	Mtrs	10
41	Labelling Tags (Load identification tags)	Size - 3 x 1 Inch, Synthetic paper, Self-adhesive, Fluorescent Green colour, Waterproof, Temperature resistant.	Pack	1
42	Labelling Tags (Cable identification tags)	Size - 40 x 10 mm Synthetic paper, Self-adhesive, White colour, Waterproof, Temperature resistant.	Pack	1
43	Labelling Pen 1 Marker Pen	Line Width - 0.4 mm Dark black colour water resistance, Temperature resistance	Pcs	1
44	Labelling Pen 2 Marker Pen	Line Width - 2 mm Dark black colour water resistance, Temperature resistance	Pcs	1

Bill of Materials for Luminaries:

Sl.no	Products	Capacity	Qty
1	LED Tube light	20 W, 230 Vac	15 Nos
2	LED Bulb	9 W, 230 Vac	15 Nos
3	Outdoor Light with automatic control switch (For dusk-to-dawn operation)	20 W, 230 Vac	2 Nos.
3.1	Outdoor Light Arm - Rust Free (GI Material)		2 Nos.



Option 3:

Bill of Materials for Solar System :

Sl. No	Products	Capacity	Qty
1	Solar Module	Solar Photovoltaic Array of Minimum Capacity 545 Wp (Monoperc) Panel Make and Model should be approved under MNRE ALMM List	16 Nos
2	Solar Battery	Valve regulated lead-acid (VRLA) battery - 200 Ah @ 12 V, C – 10 (Battery terminal caps used, must be big enough to cover the entire terminal area and the nut bolt assembly. Also, spring washers to be used at each battery terminal).	10 Nos
3	Module Mounting Structure (MMS*)	Solar PV Module support structure. RCC Roof: Lower elevation/Landscape Orientation (Triangular MMS with concrete block). Tin Roof: Aluminium - Mini Rails It should withstand the wind speed of 200 – 250 km/hr It should be suitable for above mentioned solar module - As per Sl.No. 1	1 Set.
4	Solar Inverter/PCU - 230 Vac, 50 Hz	Total Minimum Capacity 10 kVA, 120 V – MPPT based Single Phase Supply, With Data Port (RS 485) Output	1 No.
5	Changeover / Bypass Switch-1 (DG – Grid – Solar & Non-Solar Loads)	80 A, 230 Vac (Single Phase)	1 No.
6	Changeover / Bypass Switch - 2 (PCU -Grid - Solar Loads)	63 A, 230 Vac (Single Phase)	1 No.
7	Copper Cable Red+Black (Module – Module - AJB) - PV1-F (Solar Cables)	6 sq.mm UV Protected Cable	128 m
8	Copper Cable Red + Black (AJB - Inverter) - (DC Cables)	10 sq.mm	30 m
9	Copper Cable (Battery -Battery & Battery - Inverter) - (DC Cables)	25 Sq.mm (Tin-coated copper lugs with insulation to be used at each battery terminal).	20 m
10	DC Earthing (Panels + MMS)	Panel to Panel, Panel to MMS, MMS leg to Main Earthing Terminal (MET) -Grounding Lugs with 4 sq.mm earthing cable should be used.	20 m



11	Earthing Cable (AJB, GIPB, Inverter & Battery rack)	16 Sq.mm (Tin-coated copper lugs with insulation to be used at the cable-earth electrode interface).	45 m
12	Cable/Down conductor for Lightning Arrestor	Insulated (outdoor) GI strip of size 25 x 3 mm to be used. Each joint should consist of 2 - hexagonal nut and bolt assembly. Saddle insulators to be provided along the length of the down conductor. Termination to the earthing electrode using SS Test links with clamps	30 m + 30 m
13	Earthing Kit <ul style="list-style-type: none"> ● LA - 1 ● LA - 2 ● GIPB+Inverter+Loads+ Changeover 1 & 2 ● MMS+AJB+Switch Disconnecter+Battery rack 	Solid electrode (Steel) Bonded copper – 16 mm diameter, 2000 mm long with 250 microns Bonding thickness, tin-coated copper lugs with insulation, clamps with nut-bolts assembly. protective concrete construction (Chamber) to earthing pit (L x B x H - 1.5 x 1.5 x 1.5 feet) with Metallic/FRP lid should be made. Earthing pit size should be minimum of 6 inch diameter and should be filled with back fill compound. Typology – Equipotential (Refer Annexure 2)	4 Set
14	Lightning Protection System	Lightning arrestor Solid Aluminium Alloy of 15 mm diameter and 2000 mm long with base plate should be used. GI Elevation pole 40 mm diameter, 3000 mm height. Supporting wires to be incorporated for stability to withstand wind speed of 200 – 250 km/hr. Ceramic insulation to be provided between lightning arrestor base plate and GI elevation pole.	2 Set
15	Grid Input Protection Box with SPD and MCB	MCB Rating : 230 Vac, 63 A (Double Pole) SPD Rating : 320 Vac, Type 2, 40 kA (Double pole with indicators) Inter connection of the components inside the GIPB should be 10 Sq.mm	1 No.
16	Double row battery rack with the following: Electrical Insulation mat (Minimum 0.4 kV)	As per Solar Battery Sl. No. - 2 (Each leg should be given a base flat plate) The elevation height of battery rack should be 3 inch and should be with fireproof material and corrosion free (GI rack is preferable). In the battery rack, each joints should be with nut and bolt assembly and should not be with any type of welding assembly.	1 Set.
17	Inverter rack with the following: Electrical Insulation mat (Minimum 0.4 kV)	(Each leg should be given a base flat plate) The elevation height of Inverter rack should be 3 inch and should be with fireproof material and corrosion free (GI rack is preferable). In the Inverter rack, each joints should be with nut and bolt assembly and should not be with any type of welding assembly.	1 Set.
18	Solar Array Junction Box with MCB and SPD and String Fuse.	2 IN 1 OUT MCB Rating : 500 Vdc, 40 A (Double Pole) SPD Rating: 500 Vdc, Type 2, 40 KA (Double pole with indicators) Inline DC Fuse rating*: (+ve Strings): 20 A X 2 nos. Inter connection of the components inside the AJB should	1 No.



		be DC cable of 10 Sq.mm	
19	Load Side MCB with Conduit box	MCB Rating: 50 A, 230 Vac (Double Pole)	1 No.
20	Marking for AC earthing with Elevated Plaques (GIPB+Inverter+Loads+ Change over 1 & 2)	Elevation pole length - 3 Feet. Metal plaque dimension - A5	1 No.
21	Marking for DC earthing with Elevated Plaques (AJB+MMS+Panels+Switch Disconnecter+Battery)	Elevation pole length - 3 Feet. Metal plaque dimension - A5	1 No.
22	Marking of Lightning Arrester Earthing with Elevated Plaques	Elevation pole length - 3 Feet. Metal plaque dimension - A5	2 Nos.
23	Single Line Diagram (SLD) for the system	Sun board with 3 mm Thickness - 4 ft x 2 ft	1 No.
24	Do's and Don'ts Practices Poster (Solar Panels, Battery and Inverter)	Foam Plaque - A4 Size for each	1 No.
25	Signboard for Danger, No Fire and PASS	Danger - Electric shock – A4 Danger - High Voltage – A4 No Fire – A5 PASS - A4	1 No each
26	I/P and O/P wiring of Grid Connection- AC cable	10 Sq. mm.	30 m
27	Fire Extinguisher	Multi-Purpose - ABC Dry powder extinguishing agents (or) CO2 type with 6 kg net weight of the charge inside the cylinder.	1 No
28	Metallic Enclosure with Isolator's having minimum gap of 1 inch. (PV, Battery & Grid Input to Inverter)	1st Switch for Battery Input - 100 A, 500 Vdc, Double Pole 2nd Switch for PV Input – 63 A, 500 Vdc, Double Pole 3rd Switch for Grid Input – 63 A, 230 Vac, Double Pole	1 Set
29	Consumables	Includes: UPVC pipes and fittings, Flexible pipes, Screws, Nuts and Bolts etc	1 Set



Bill of Materials for Load Wiring:

Sl.no	Item	Description	UoM	Qty
1	AC Distribution Box	10-way, Single phase, Double door, Wall mounting type, DIN rail, Neutral busbar, Earth busbar.	Pcs	1
2	RCCB	30mA, 63 A, AC, Double Pole, 10 kA, 230 Vac	Pcs	1
3	Main MCB	50 A, AC, Double pole, B-curve, 10 kA, 230 Vac	Pcs	1
4	MCB Circuit - 1	10 A, AC, Single Pole, B Curve, 10 kA, 230 vac	Pcs	1
5	MCB Circuit - 2	10 A, AC, Single Pole, B Curve, 10 kA, 230 vac	Pcs	1
6	MCB Circuit - 3	16 A, AC, Single Pole, B Curve, 10 kA, 230 vac	Pcs	1
7	MCB Circuit - 4	16 A, AC, Single Pole, B Curve, 10 kA, 230 vac	Pcs	1
8	MCB Circuit - 5	16 A, AC, Single Pole, B Curve, 10 kA, 230 vac	Pcs	1
9	Socket (Modular)	3 pin, 6 A, 230 V, (White colour).	Pcs	12
10	Switch (Modular)	6 A, 1-Way, 240 V, (White colour).	Pcs	77
11	16 A Combo Socket with Fuse and Box	5-Pin, 16 A, 240 V, Socket, FR polycarbonate material (White Colour)	Pcs	14
12	Power Cable - 1 (Red)	1.5 Sq. mm, EFFR copper cables. (Interconnecting switchboards with loads)	Mtrs	120
	Power Cable - 1 (Black)	1.5 Sq. mm, EFFR copper cables. (Interconnecting switchboards with loads)	Mtrs	120
13	Power Cable - 2 (Red)	2.5 Sq. mm, EFFR copper cables. (Interconnecting distribution box with switchboards)	Mtrs	120
	Power Cable - 2 (Black)	2.5 Sq. mm, EFFR copper cables. (Interconnecting distribution box with switchboards)	Mtrs	120
14	Power Cable - 2 (Red)	4 Sq. mm, EFFR copper cables. (Interconnecting distribution box with switchboards)	Mtrs	100
	Power Cable - 2 (Black)	4 Sq. mm, EFFR copper cables. (Interconnecting distribution box with switchboards)	Mtrs	100
15	Earthing Cable (Green)	1 Sq. mm, EFFR copper cables. (Interconnecting earth pin (3-pin sockets) with new distribution box)	Mtrs	50
16	Earthing Cable (Green)	16 Sq. mm, EFFR copper cables. (Cable from AC Distribution box to Earth Pit)	Mtrs	30
17	Ceiling Rose	6 A, 240 V, FR polycarbonate outer housing with ducts, Inner metal ring with high conductive brass terminals (White colour).	Pcs	34



18	1 modular Switch Box with plate	Surface mounting type, ABS material with brass studs, Provision for conduits. (White colour)	Pcs	15
19	2 modular Switch Box with plate	Surface mounting type, ABS material with brass studs, Provision for conduits. (White colour)	Pcs	20
20	3 modular Switch Box with plate	Surface mounting type, ABS material with brass studs, Provision for conduits. (White colour)	Pcs	20
21	4 modular Switch Box with plate	Surface mounting type, ABS material with brass studs, Provision for conduits. (White colour)	Pcs	15
22	6 modular Switch Box with plate	Surface mounting type, ABS material with brass studs, Provision for conduits. (White colour)	Pcs	18
23	8 modular Switch Box with plate	Surface mounting type, ABS material with brass studs, Provision for conduits. (White colour)	Pcs	18
24	Modular Box Blank plate (Dummy)	Dummy Modular	Pcs	15
25	UPVC Conduit Pipe (White)	Polypropylene material, 20 mm diameter, White colour, Flame retardant, Anti-distortion.	Pcs	125
26	UPVC - Coupler (White)	UPVC pipe (White color), 19 mm diameter, Flame retardant, Low halogen, Low smoke, Smoke suppressing, Temperature stable.	Pcs	30
27	UPVC Conduit Tee Joint	UPVC pipe (White color), 19 mm diameter, Flame retardant, Low halogen, Low smoke, Smoke suppressing, Temperature stable.	Pcs	55
28	UPVC - Short & Long Elbow (White)	UPVC material, 19 mm diameter, White colour, Flame retardant, Low halogen, Low smoke, Smoke suppressing, Temperature stable. "	Pcs	60
29	2way Junction Box	UPVC material, 19 mm diameter, White colour, Flame retardant, Low halogen, Low smoke, Smoke suppressing, Temperature stable.	Pcs	25
30	3way Junction Box	UPVC material, 19 mm diameter, White colour, Flame retardant, Low halogen, Low smoke, Smoke suppressing, Temperature stable.	Pcs	55
31	4way Junction Box	UPVC material, 20 mm diameter, White colour, Flame retardant, Low halogen, Low smoke, Smoke suppressing, Temperature stable.	Pcs	25
32	Square Box		Pcs	51
33	Plastic wall lug	UPVC material, Size - 25 x 5 mm, Crack-proof, White colour, Eco-friendly.	Packs	3
34	Screw	Stainless steel/Galvanized Iron - rust-free material, Size - 35 x 8 mm, Flat head with deep slot.	Packs	5
35	Screw	Stainless steel/Galvanized Iron - rust-free material, Size - 25 x 7 mm, Flat head with deep slot.	Packs	3



36	Electrical Insulating Tape	Size - 18 x 0.125 mm, High insulating resistance, Moisture & Corrosion resistant, Flame-retardant, Long-lasting adhesion.	Pcs	14
37	Pipe Saddle Clamps	UPVC material, Size: 20 mm diameter, Light duty pipe clamp, Single nail.	Pcs	250
38	Saddle Nail	Concrete nail Size - 1.5 inch GI/ Astel string steel	kg	1
39	Cable Tie	Polypropylene Material, Size – 150 mm, White Colour.	Packs	3
40	Cable Lugs - 1	2.5 Sq.mm, Pin-type, Tin-coated copper.	Pcs	20
41	Cable Lugs - 1	4 Sq.mm, Pin-type, Tin-coated copper.	Pcs	20
42	Flexible Pipe	Polypropylene material, 20 mm diameter, White colour, Flame retardant, Anti-distortion.	Mtrs	15
43	Labelling Tags (Load identification tags)	Size - 3 x 1 Inch, Synthetic paper, Self-adhesive, Fluorescent Green colour, Waterproof, Temperature resistant.	Pack	1
44	Labelling Tags (Cable identification tags)	Size - 40 x 10 mm Synthetic paper, Self-adhesive, White colour, Waterproof, Temperature resistant.	Pack	1
45	Labelling Pen 1 Marker Pen	Line Width - 0.4 mm Dark black colour water resistance, Temperature resistance	Pcs	1
46	Labelling Pen 2 Marker Pen	Line Width - 2 mm Dark black colour water resistance, Temperature resistance	Pcs	1

Bill of Materials for Luminaries:

Sl.no	Products	Capacity	Qty
1	LED Tube light	20 W, 230 Vac	21 Nos
2	LED Bulb	9 W, 230 Vac	17 Nos
3	Outdoor Light with automatic control switch (For dusk-to-dawn operation)	20 W, 230 Vac	2 Nos.
3.1	Outdoor Light Arm - Rust Free (GI Material)		2 Nos.



Annexure-1G

PHC-1

ASSAM - PHC Load Details (Non Delivery Point)											
Sl.No	Name of the Room	Name of the Loads	Power Rating (Watts)	Qty	Day Time Usage Hours	Night Time Usage Hours	Total Usage Hours	Total loads (Watts)	Day Time Energy Usage (W-hr/Day)	Night Time Energy Usage (W-hr/Day)	Total Energy Usage (W-hr/Day)
1	Entrance	LED Bulb	9	2	3	2	5	18	54	36	90
2	Doctor Room	Ceiling Fan	75	1	3	1	4	75	225	75	300
		LED Tubelight	20	1	3	1	4	20	60	20	80
		Needle Cutter	60	1	1	0	1	60	60	0	60
		Eye Vision Machine	30	1	1	0	1	30	30	0	30
3	Pharmacy	Wall Mounted Fan	60	1	3	1	4	60	180	60	240
		LED Tubelight	20	1	3	1	4	20	60	20	80
		Desktop	100	1	3	1	4	100	300	100	400
		Printer	120	1	1	0	1	120	120	0	120
		Refrigerator	100	1	4	4	8	100	400	400	800
4	Lab	Ceiling Fan	75	1	2	1	3	75	150	75	225
		LED Tubelight	20	1	2	1	3	20	40	20	60
		Microscope	60	1	1	0	1	60	60	0	60
		Centrifuge	230	1	1	0	1	230	230	0	230
		Semi auto analyser	100	1	1	0	1	100	100	0	100
		Hematology Analyser	200	1	1	0	1	200	200	0	200
5	Female Ward	LED Tubelight	20	3	3	2	5	60	180	120	300
		Ceiling Fan	75	1	3	2	5	75	225	150	375
		Wall Mounted Fan	60	1	3	2	5	60	180	120	300
		Mobile Charging	25	1	1	0	1	25	25	0	25
5	Toilet	LED Bulb	9	2	1	0	1	18	18	0	18
6	Male Ward	LED Tubelight	20	3	3	2	5	60	180	120	300
		Ceiling Fan	75	1	3	2	5	75	225	150	375
		Wall Mounted Fan	60	1	3	2	5	60	180	120	300



		Mobile Charging	25	1	1	0	1	25	25	0	25
	Toilet	LED Bulb	9	2	1	0	1	18	18	0	18
7	Observation Room	Wall Mounted Fan	60	1	1	1	2	60	60	60	120
		LED Tubelight	20	1	1	1	2	20	20	20	40
8	Immunization / Cold Chain	ILR	140	1	4	4	8	140	560	560	1120
		Deep Freezer	146	1	5	5	10	146	730	730	1460
		Ceiling Fan	75	1	1	1	2	75	75	75	150
		LED Tubelight	20	1	1	1	2	20	20	20	40
9	Dressing room	Wall Mounted Fan	60	1	2	1	3	60	120	60	180
		LED Tubelight	20	1	2	1	3	20	40	20	60
10	Nursing station / Staff room	LED Bulb	9	1	3	1	4	9	27	9	36
		Wall Mounted Fan	60	1	3	1	4	60	180	60	240
		Toilet	LED Bulb	9	1	1	0	1	9	9	0
11	Store Room	LED Bulb	9	1	1	0	1	9	9	0	9
12	Waiting Area	Wall Mounted Fan	60	1	4	1	5	60	240	60	300
		LED Bulb	9	2	4	1	5	18	72	18	90
		Water purifier	60	1	1	0	1	60	60	0	60
	Patient Toilet - Male	LED Bulb	9	1	1	0	1	9	9	0	9
	Patient Toilet - Female	LED Bulb	9	1	1	0	1	9	9	0	9
	Outside	Outdoor light	20	2	0	12	12	40	0	480	480
								2588	5765	3758	9523

Sl.no	Products	Capacity	Qty
1	LED Tube light	20 W, 230 Vac	12 Nos
2	LED Bulb	9 W, 230 Vac	13 Nos
3	Ceiling Fan	75 W, 230 Vac	5 Nos
4	Wall Mounted Fan	55 W, 230 Vac	7 Nos
4	Outdoor Light with automatic control switch (For dusk-to-dawn operation)	20 W, 230 Vac	2 Nos
4.1	Outdoor Light Arm - Rust Free (GI Material)		2 Nos

PHC-2

ASSAM - PHC Load Details (Non Delivery Point)											
Sl. No	Name of the Room	Name of the Loads	Power Rating (W)	Qty (Nos)	Day Time Usage Hours	Night Time Usage Hours	Total Usage Hours	Total Power (Watts)	Day Time Energy Usage (W-hr/Day)	Night Time Energy Usage (W-hr/Day)	Total Energy Usage (W-hr/Day)
1	Entrance	LED Bulb	9	2	3	3	6	18	54	54	108
2	Doctor room	Ceiling Fan	75	1	3	2	5	75	225	150	375
		LED Tubelight	20	1	3	2	5	20	60	40	100
		Needle Cutter	60	1	0.5	0.5	1	60	30	30	60
		Eye Vision Machine	30	1	1	0	1	30	30	0	30
3	OPD	Ceiling Fan	75	1	3	2	5	75	225	150	375
		LED Tubelight	20	1	3	2	5	20	60	40	100
4	Labour Room	Ceiling Fan	75	1	2	1	3	75	150	75	225
		LED Tubelight	20	2	2	1	3	40	80	40	120
		Radiant Warmer	800	1	0.5	0.5	1	800	400	400	800
		Oxygen Concentrator	550	1	0.5	0.5	1	550	275	275	550
		Suction Apparatus	180	1	0.5	0.5	1	180	90	90	180
		Spot Light	20	1	0.5	0.5	1	20	10	10	20
5	Pharmacy	LED Tubelight	20	1	2	2	4	20	40	40	80
		Wall Mounted Fan	60	1	2	2	4	60	120	120	240
		Desktop	100	1	2	2	4	100	200	200	400
		Printer	120	1	1	0	1	120	120	0	120
		Refrigerator	100	1	4	4	8	100	400	400	800
6	Laboratory	LED Tubelight	20	1	3	1	4	20	60	20	80
		Ceiling Fan	75	1	3	1	4	75	225	75	300

		Microscope	60	1	1	0	1	60	60	0	60
		Centrifuge	230	1	1	0	1	230	230	0	230
		Semi Auto Analyser	100	1	1	0	1	100	100	0	100
		Hematology Analyser	200	1	1	0	1	200	200	0	200
7	Female Ward	LED Tubelight	20	3	3	2	5	60	180	120	300
		Ceiling Fan	75	1	3	2	5	75	225	150	375
		Wall Mounted Fan	60	1	3	2	5	60	180	120	300
		Mobile Charging	25	1	1	0	1	25	25	0	25
	Toilet	LED Bulb	9	2	0.5	0.5	1	18	9	9	18
8	Male Ward	LED Tubelight	20	3	3	2	5	60	180	120	300
		Ceiling Fan	75	1	3	2	5	75	225	150	375
		Wall Mounted Fan	60	1	3	2	5	60	180	120	300
		Mobile Charging	25	1	1	0	1	25	25	0	25
	Toilet	LED Bulb	9	2	0.5	0.5	1	18	9	9	18
9	Observation Room	Wall Mounted Fan	60	1	1	1	2	60	60	60	120
		LED Tubelight	20	1	1	1	2	20	20	20	40
10	Coldchain / Immunization Room	ILR	140	1	4	4	8	140	560	560	1120
		Deep Freezer	146	1	5	5	10	146	730	730	1460
		LED Tubelight	20	1	1	1	2	20	20	20	40
		Ceiling Fan	75	1	1	1	2	75	75	75	150
11	Dressing room	Wall Mounted Fan	60	1	2	1	3	60	120	60	180
		LED Tubelight	20	1	2	1	3	20	40	20	60
12	Nursing station / Staff room	LED Bulb	9	1	3	1	4	9	27	9	36
		Wall Mounted Fan	60	1	3	1	4	60	180	60	240
	Toilet	LED Bulb	9	1	1	1	2	9	9	9	18



13	Brest Feeding	LED Bulb	9	1	2	1	3	9	18	9	27
		Ceiling Fan	75	1	2	1	3	75	150	75	225
14	Kitchen	LED Bulb	9	1	1	1	2	9	9	9	18
15	Store Room	LED Bulb	9	1	1	0	1	9	9	0	9
16	Waiting Area	LED Bulb	9	2	3	3	6	18	54	54	108
		Wall Mounted Fan	60	1	3	3	6	60	180	180	360
		Water Purifier	60	1	1	1	2	60	60	60	120
	Patient Toilet - Male	LED Bulb	9	1	1	1	2	9	9	9	18
	Pateint Toilet - Female	LED Bulb	9	1	1	1	2	9	9	9	18
		Outdoor light	20	2	0	12	12	40	0	480	480
								4441	7021	5515	12536

Sl.no	Products	Capacity	Qty
1	LED Tube light	20 W, 230 Vac	15 Nos
2	LED Bulb	9 W, 230 Vac	15 Nos
4	Ceiling Fans	75 W, 230 Vac	8 Nos
5	Wall Mounted Fans	55 W, 230 Vac	7 Nos
6	Outdoor Light with automatic control switch (For dusk-to-dawn operation)	20 W, 230 Vac	2 Nos
6.1	Outdoor Light Arm - Rust Free (GI Material)		2 Nos

PHC-3

BPHC Load Deatils											
Sl. No	Name of the Room	Load Type	Power Consumption (W)	Quantity (Nos)	Day Time Usage Hours	Night Time Usage Hours	Total Usage Hours	Total Load (Watt)	Day Time Energy usage (W-hr)	Night Time Energy usage (W-hr)	Total Energy (Watt - Hour)
1	Waiting Room	LED Bulb	9	3	3	2	5	27	81	54	135
		Wall Mounted Fan	60	1	3	2	5	60	180	120	300
		Water Filter	60	1	1	1	2	60	60	60	120
2	Office Room	Ceiling Fan	75	1	2	1	3	75	150	75	225
		LED Bulb	9	1	3	1	4	9	27	9	36
3	OPD	LED Bulb	9	2	3	2	5	18	54	36	90
		Wall Mounted Fan	60	1	3	2	5	60	180	120	300
4	NCD Room	Ceiling Fan	75	2	2	2	4	150	300	300	600
		LED Tubelight	20	1	2	2	4	20	40	40	80
5	Dental Room	LED Bulb	9	1	2	2	4	9	18	18	36
		Ceiling Fan	75	1	2	2	4	75	150	150	300
		Dental Chair	1100	1	1	0	1	1100	1100	0	1100
		Compressor	550	1	1	0	1	550	550	0	550
6	Male Ward	Wall Mounted Fan	60	1	3	1	4	60	180	60	240
		Ceiling Fan	75	1	3	1	4	75	225	75	300
		LED Tubelight	20	3	3	1	4	60	180	60	240
		Mobile Charging	25	1	1	1	2	25	25	25	50
7	Eye Examination Room	Wall Mounted Fan	60	1	2	1	3	60	120	60	180
		LED Tubelight	20	1	2	1	3	20	40	20	60
		Eye Vision Machine	30	1	1	1	2	30	30	30	60

8	Cold Chain Room	Ceiling Fan	75	1	2	1	3	75	150	75	225
		LED Tubelight	20	1	2	1	3	20	40	20	60
		ILR	140	1	4	4	8	140	560	560	1120
		Deep Freezer	146	1	5	5	10	146	730	730	1460
9	Registration Room	Wall Mounted Fan	60	1	2	2	4	60	120	120	240
		LED Tubelight	20	1	2	2	4	20	40	40	80
10	Store Room	LED Bulb	9	1	1	1	2	9	9	9	18
11	Pharmacy	LED Tubelight	20	2	3	2	5	40	120	80	200
		Wall Mounted Fan	60	1	3	2	5	60	180	120	300
12	Dressing Room	Wall Mounted Fan	60	1	2	1	3	60	120	60	180
		LED Tubelight	20	1	2	1	3	20	40	20	60
		Spot Light	20	1	1	0	1	20	20	0	20
13	Lab	LED Tubelight	20	2	3	1	4	40	120	40	160
		Ceiling Fan	75	1	3	1	4	75	225	75	300
		Wall Mounted Fan	60	1	3	1	4	60	180	60	240
		Microscope	60	1	1	1	2	60	60	60	120
		Centrifuge	230	1	1	1	2	230	230	230	460
		Semiauto Analyser	100	1	1	1	2	100	100	100	200
		Hematology Analyser	200	1	1	1	2	200	200	200	400
		Blood Roller	10	1	1	1	2	10	10	10	20
		Computer	100	1	2	1	3	100	200	100	300
		Printer	120	1	1	0	1	120	120	0	120
14	Malaria ROOM	LED Tubelight	20	1	1	1	2	20	20	20	40
15	Breast Feeding Room	LED Bulb	9	1	2	1	3	9	18	9	27
		Ceiling Fan	75	1	2	1	3	75	150	75	225
		Needle Cutter	60	1	1	0	1	60	60	0	60
16	Delivery Room	LED Tubelight	20	2	2	1	3	40	80	40	120
		Ceiling Fan	75	1	2	1	3	75	150	75	225

		Wall Mounted Fan	60	1	2	1	3	60	120	60	180
		Baby Warmer	800	1	0.5	0.5	1	800	400	400	800
		Suction Machine	180	1	0.5	0.5	1	180	90	90	180
		Spot Light	20	1	0.5	0.5	1	20	10	10	20
		Oxygen Concentrator	550	1	0.5	0.5	1	550	275	275	550
17	Dispensary Room	LED Tubelight	20	2	1	1	2	40	40	40	80
		Wall Mounted Fan	60	1	1	1	2	60	60	60	120
		Refrigerator	100	1	4	4	8	100	400	400	800
18	SDM & HO	LED Tubelight	20	1	1	1	2	20	20	20	40
		Ceiling Fan	75	1	2	1	3	75	150	75	225
19	BPM Unit	LED Bulb	9	2	1	1	2	18	18	18	36
		Ceiling Fan	75	1	1	1	2	75	75	75	150
		Wall Mounted Fan	60	1	1	1	2	60	60	60	120
		Computer	100	1	1	1	2	100	100	100	200
		Printer	120	1	0.5	0	0.5	120	60	0	60
20	BPM	Ceiling Fan	75	1	2	1	3	75	150	75	225
		LED Bulb	9	2	2	1	3	18	36	18	54
		Computer	100	1	1	1	2	100	100	100	200
		Printer	120	1	1	0	1	120	120	0	120
21	Post Natal Care Ward	LED Tubelight	20	3	3	2	5	60	180	120	300
		Ceiling Fan	75	1	3	2	5	75	225	150	375
		Wall Mounted Fan	60	1	3	2	5	60	180	120	300
		Mobile Charging	25	1	1	1	2	25	25	25	50
	Staff Toilet	LED Bulb	9	2	1	1	2	18	18	18	36
	Patient Toilet	LED Bulb	9	2	1	1	2	18	18	18	36
	Outside	Outdoor Light	20	2	0	12	12	40	0	480	480
								737	106	704	177
								4	72	7	19



https://forms.gle/6hH2VUwKMdbVatrc8SI.no	Products	Capacity	Qty
1	LED Tubelight	20 W, 230 Vac	21 Nos
2	LED Bulb	9 W, 230 Vac	17 Nos
3	Ceiling Fan	75 W, 230 Vac	13 Nos
4	Wall Mounted Fan	55 W, 230 Vac	12 Nos
5	Outdoor Light with automatic control switch (For dusk-to-dawn operation)	20 W, 230 Vac	2 Nos.
5.1	Outdoor Light Arm - Rust Free (GI Material)		2 Nos.

Annexure-2

Sl no	Health Facility Name	District name	Block name	Health facility type
1	ALOPATI CHAR MPHC	Barpeta	Mandia	Primary Health Centre
2	BAGHBAR PHC	Barpeta	Mandia	Primary Health Centre
3	BAGHMARA RPHC	Barpeta	Mandia	Primary Health Centre
4	JANIA SD	Barpeta	Mandia	Primary Health Centre
5	KADAMTOLA RPHC	Barpeta	Mandia	Primary Health Centre
6	AKAYA MPHC	Barpeta	Bhabanipur	Primary Health Centre
7	Bangaon PHC	Barpeta	Bajali	Primary Health Centre
8	BARBANG MPHC	Barpeta	Bajali	Primary Health Centre
9	BARHAMCHARI MPHC	Barpeta	Bajali	Primary Health Centre
10	HELONA MPHC	Barpeta	Bajali	Primary Health Centre
11	Medhikuchi PHC	Barpeta	Bhabanipur	Primary Health Centre
12	NITYANANDA BPHC	Barpeta	Bajali	Primary Health Centre
13	PATACHARKUCHI MPHC	Barpeta	Bajali	Primary Health Centre
14	SADERI SD	Barpeta	Bhabanipur	Primary Health Centre
15	KAMARGAON SD	Barpeta	Gobardhana	Primary Health Centre
16	ODALGURI SD	Barpeta	Gobardhana	Primary Health Centre
17	ROHA PHC	Barpeta	Chakchaka	Primary Health Centre
18	SORBHOG SHC	Barpeta	Notmapped	Urban Primary Health Centre



19	BHELLA MPHC	Barpeta	Barpeta	Primary Health Centre
20	GAREMARI PHC	Barpeta	Bhabanipur	Primary Health Centre
21	HOWLY SHC	Barpeta	Notmapped	Urban Primary Health Centre
22	KAYAKUCHI PHC	Barpeta	Bhabanipur	Primary Health Centre
23	KEOTKUCHI MPHC	Barpeta	Barpeta	Primary Health Centre
24	NAGAON BPHC	Barpeta	Barpeta	Primary Health Centre
25	SARUTAPA MPHC	Barpeta	Bhabanipur	Primary Health Centre
26	Urban Health Centre	Barpeta	Notmapped	Urban Primary Health Centre
27	AMRIKHOWA MPHC	Barpeta	Sarukhetri	Primary Health Centre
28	BAHARI MPHC	Barpeta	Chenga	Primary Health Centre
29	GOHIA MPHC	Barpeta	Sarukhetri	Primary Health Centre
30	KACHUMARA SD	Barpeta	Chenga	Primary Health Centre
31	KARAIKHAITI RPHC	Barpeta	Chenga	Primary Health Centre
32	KHOLABANDHA RPHC	Barpeta	Chenga	Primary Health Centre
33	PUB MAHCHARA RPHC	Barpeta	Chenga	Primary Health Centre
34	BALIKURI RPHC	Barpeta	Mandia	Primary Health Centre
35	ISABPUR RPHC	Barpeta	Ruposhi	Primary Health Centre
36	KALGACHIA BPHC	Barpeta	Ruposhi	Primary Health Centre
37	MAINBARI MPHC	Barpeta	Mandia	Primary Health Centre
38	TARAKANDI RPHC	Barpeta	Mandia	Primary Health Centre
39	TITAPANI MPHC	Barpeta	Ruposhi	Primary Health Centre
40	AMDAH MPHC	Barpeta	Barpeta	Primary Health Centre
41	BYASKUCHI SD	Barpeta	Sarukhetri	Primary Health Centre
42	CHATLA PHC	Barpeta	Sarukhetri	Primary Health Centre
43	KAWAIMARI SD	Barpeta	Barpeta	Primary Health Centre
44	NASATRA PHC	Barpeta	Pakabetbari	Primary Health Centre
45	CHEKI MPHC	Barpeta	Bajali	Primary Health Centre
46	DHEMSA MPHC	Barpeta	Bajali	Primary Health Centre
47	GOMURA MPHC	Barpeta	Bajali	Primary Health Centre
48	PUTHIMARI MPHC	Barpeta	Bajali	Primary Health Centre
49	SARUPETA MPHC	Barpeta	Bhabanipur	Primary Health Centre



50	Bedeti PHC	Biswanath	Behali	Primary Health Centre
51	Behali BPHC	Biswanath	Behali	Primary Health Centre
52	BIHMARI BONGAON PHC	Biswanath	Behali	Primary Health Centre
53	Biswanath Ghat NPHC	Biswanath	Biswanath	Primary Health Centre
54	Gingia MPHC	Biswanath	Baghmara	Primary Health Centre
55	Itakhola New PHC	Biswanath	Biswanath	Primary Health Centre
56	Japoubari NPHC	Biswanath	Sakomatha	Primary Health Centre
57	Kharasimalu NPHC	Biswanath	Baghmara	Primary Health Centre
58	Kumolia Chapori Hospital	Biswanath	Biswanath	Primary Health Centre
59	Nagsankar New PHC	Biswanath	Biswanath	Primary Health Centre
60	Pavoi SD	Biswanath	Sakomatha	Primary Health Centre
61	Sootea MPHC	Biswanath	Biswanath	Primary Health Centre
62	Tewaripal NPHC	Biswanath	Biswanath	Primary Health Centre
63	Bilatia	Biswanath	Pub Chaiduar	Primary Health Centre
64	Bishnu Borah	Biswanath	Pub Chaiduar	Primary Health Centre
65	Gamiri	Biswanath	Pub Chaiduar	Primary Health Centre
66	Helem	Biswanath	Pub Chaiduar	Primary Health Centre
67	Howajan	Biswanath	Pub Chaiduar	Primary Health Centre
68	Jalukbari	Biswanath	Pub Chaiduar	Primary Health Centre
69	Kakila Dubia PHC	Biswanath	Pub Chaiduar	Primary Health Centre
70	Kauripathar	Biswanath	Pub Chaiduar	Primary Health Centre
71	Lohitmukh	Biswanath	Pub Chaiduar	Primary Health Centre
72	Majikuchi	Biswanath	Pub Chaiduar	Primary Health Centre
73	Paken	Biswanath	Chaiduar	Primary Health Centre
74	Rawnamukh	Biswanath	Pub Chaiduar	Primary Health Centre
75	Bheloguri New PHC	Biswanath	Biswanath	Primary Health Centre
76	Bishnupur SD	Bongaigaon	Boitamari	Primary Health Centre
77	Chalantapara MPHC	Bongaigaon	Boitamari	Primary Health Centre
78	Dhantola MPHC	Bongaigaon	Boitamari	Primary Health Centre
79	Kachudola MPHC	Bongaigaon	Boitamari	Primary Health Centre
80	Bhandara Char PHC	Bongaigaon	MANIKPUR	Primary Health Centre



81	Bhawlaguri UHC	Bongaigaon	Notmapped	Urban Primary Health Centre
82	Bongaigaon BPHC	Bongaigaon	Notmapped	Urban Primary Health Centre
83	Chaprakata MPHC	Bongaigaon	Dangtol	Primary Health Centre
84	Chipansila MPHC	Bongaigaon	Dangtol	Primary Health Centre
85	Khagarpur MPHC	Bongaigaon	Boitamari	Primary Health Centre
86	Majgaon SD	Bongaigaon	Dangtol	Primary Health Centre
87	Mulagaon MPHC	Bongaigaon	Dangtol	Primary Health Centre
88	Panchapur MPHC	Bongaigaon	Dangtol	Primary Health Centre
89	Patiladaha MPHC	Bongaigaon	MANIKPUR	Primary Health Centre
90	ABHYAPURI SD	Bongaigaon	Tapattary	Primary Health Centre
91	AMGURI MPHC	Bongaigaon	Tapattary	Primary Health Centre
92	CHAKLA KOKILA SD	Bongaigaon	Srijangram	Primary Health Centre
93	Dompara MPHC	Bongaigaon	MANIKPUR	Primary Health Centre
94	DUMERGURI MPHC	Bongaigaon	Srijangram	Primary Health Centre
95	Fagunagaon MPHC	Bongaigaon	MANIKPUR	Primary Health Centre
96	Jhawbari SD	Bongaigaon	MANIKPUR	Primary Health Centre
97	Kirtanpara PHC	Bongaigaon	Srijangram	Primary Health Centre
98	LENGTISINGA MPHC	Bongaigaon	Tapattary	Primary Health Centre
99	MERERCHAR MPHC	Bongaigaon	Tapattary	Primary Health Centre
100	NORTH SALMARA SD	Bongaigaon	Tapattary	Primary Health Centre
101	PACHANIA MPHC	Bongaigaon	Tapattary	Primary Health Centre
102	RANGAPANI SD	Bongaigaon	Srijangram	Primary Health Centre
103	Sidalsati MPHC	Bongaigaon	Srijangram	Primary Health Centre
104	DIGORKHAL MPHC	Cachar	Kalain	Primary Health Centre
105	Fulbari MPHC	Cachar	Katigora	Primary Health Centre
106	Gonirgram SD	Cachar	Katigora	Primary Health Centre
107	Rajatila PHC	Cachar	Katigora	Primary Health Centre
108	Sibtilla MPHC	Cachar	Kalain	Primary Health Centre
109	Silchar Urban PHC	Cachar	Notmapped	Urban Primary Health Centre
110	Banskandi MPHC	Cachar	Banskandi	Primary Health Centre
111	Chotomamda MPHC	Cachar	Binnakandi	Primary Health Centre



112	Diger Fulertol SHC	Cachar	Lakhipur	Primary Health Centre
113	Harinagar BPHC	Cachar	Rajabazar	Primary Health Centre
114	Jirighat MPHC	Cachar	Lakhipur	Primary Health Centre
115	Joypur SHC	Cachar	Rajabazar	Primary Health Centre
116	Lakhipur BPHC	Cachar	Notmapped	Urban Primary Health Centre
117	Sonai BPHC	Cachar	Notmapped	Urban Primary Health Centre
118	Uttar Lalpani	Cachar	Lakhipur	Primary Health Centre
119	Bikrampur PHC	Cachar	Borkhola	Primary Health Centre
120	Borjalenga MPHC	Cachar	Barjalenga	Primary Health Centre
121	Borkhola BPHC	Cachar	Borkhola	Primary Health Centre
122	Jalalpur BPHC	Cachar	Kalain	Primary Health Centre
123	Rajnagar MPHC	Cachar	Salchapra	Primary Health Centre
124	Rengti PHC	Cachar	Silchar	Primary Health Centre
125	Salchapra MPHC	Cachar	Salchapra	Primary Health Centre
126	Bidyaratanpur MPHC	Cachar	Narsingpur	Primary Health Centre
127	Darmikhal MPHC	Cachar	Palonghat	Primary Health Centre
128	Dholai BPHC	Cachar	Narsingpur	Primary Health Centre
129	Harina MPHC	Cachar	Palonghat	Primary Health Centre
130	Hawaithang MPHC	Cachar	Narsingpur	Primary Health Centre
131	Narsingpur MPHC	Cachar	Narsingpur	Primary Health Centre
132	Natun Ramnagar S. D.	Cachar	Sonai	Primary Health Centre
133	Sonabarighat SHC	Cachar	Sonai	Primary Health Centre
134	Digar Kashipur MPHC	Cachar	Udharbond	Primary Health Centre
135	RONGPUR PHC	Cachar	Udharbond	Primary Health Centre
136	Thaligram MPHC	Cachar	Udharbond	Primary Health Centre
137	Udharbond BPHC	Cachar	Udharbond	Primary Health Centre
138	Borbil PHC	Charaideo	Sonari	Primary Health Centre
139	Dhemaji Desangpani SD	Charaideo	West Abhaipur	Primary Health Centre
140	Domordolong New PHC	Charaideo	Sonari	Primary Health Centre
141	Narod Kumar New PHC	Charaideo	Sonari	Primary Health Centre
142	Patsaku BPHC	Charaideo	West Abhaipur	Primary Health Centre



143	Sepon New PHC	Charaideo	West Abhaipur	Primary Health Centre
144	Bampather Bengenabari MPHC	Charaideo	Sapekhati	Primary Health Centre
145	Borbaruakhat MPHC	Charaideo	Sapekhati	Primary Health Centre
146	Borhat MPHC	Charaideo	Sapekhati	Primary Health Centre
147	Charaipung PHC	Charaideo	Sapekhati	Primary Health Centre
148	Dangorikumar MPHC	Charaideo	Sapekhati	Primary Health Centre
149	Khariabheta MPHC	Charaideo	Sapekhati	Primary Health Centre
150	Ouguri Lukhurakhan MPHC	Charaideo	Sapekhati	Primary Health Centre
151	Sapekhati BPHC	Charaideo	Sapekhati	Primary Health Centre
152	Longpotia MPHC	Charaideo	Sapekhati	Primary Health Centre
153	Mathurapur MPHC	Charaideo	Lakuwa	Primary Health Centre
154	Sonari Urban Centre	Charaideo	Notmapped	Urban Primary Health Centre
155	Suffry MPHC	Charaideo	West Abhaipur	Primary Health Centre
156	Tengapukhuri MPHC	Charaideo	Lakuwa	Primary Health Centre
157	BARUAJHAR	Darrang	Bechimari	Primary Health Centre
158	BECHIMARI NEW PHC	Darrang	Bechimari	Primary Health Centre
159	BHERBHERIBIL NEW PHC	Darrang	Kalaigaon	Primary Health Centre
160	DALGAON	Darrang	Dalgaon-Sialmari	Primary Health Centre
161	Dhula PHC	Darrang	Pub-Mangaldai	Primary Health Centre
162	No.1 Magurmari Riverine PHC	Darrang	Pub-Mangaldai	Primary Health Centre
163	No.4 Arimari Riverine PHC	Darrang	Dalgaon-Sialmari	Primary Health Centre
164	PANBARI NEW PHC	Darrang	Kalaigaon	Primary Health Centre
165	SHYAMPUR NEW PHC	Darrang	Dalgaon-Sialmari	Primary Health Centre
166	SILBORI NEW PHC	Darrang	Dalgaon-Sialmari	Primary Health Centre
167	CHAMUAPARA	Darrang	Pachim-Mangaldai	Primary Health Centre
168	GOSHAIGAON	Darrang	Pachim-Mangaldai	Primary Health Centre
169	JALJALI	Darrang	Pachim-Mangaldai	Primary Health Centre
170	NIZ DANHEE	Darrang	Pachim-Mangaldai	Primary Health Centre
171	RAMHARI	Darrang	Pachim-Mangaldai	Primary Health Centre



172	RANGAMATI	Darrang	Pachim-Mangaldai	Primary Health Centre
173	Urban Health Centre	Darrang	Notmapped	Urban Primary Health Centre
174	ANDHERIGHAT	Darrang	Sipajhar	Primary Health Centre
175	BARAMPUR PHC	Darrang	Sipajhar	Primary Health Centre
176	CHAMATIAPARA PHC	Darrang	Sipajhar	Primary Health Centre
177	NAMKHOLA	Darrang	Sipajhar	Primary Health Centre
178	PATHARIGHAT	Darrang	Sipajhar	Primary Health Centre
179	SARABARI	Darrang	Sipajhar	Primary Health Centre
180	BURHINAGAR	Darrang	Sipajhar	Primary Health Centre
181	CHENGELIAJHAR	Darrang	Sipajhar	Primary Health Centre
182	Dhalpur Bheti Bazar Riverine PHC	Darrang	Sipajhar	Primary Health Centre
183	DUMUNICHOWKI	Darrang	Sipajhar	Primary Health Centre
184	GARUKHUTI	Darrang	Sipajhar	Primary Health Centre
185	HAZARIKAPARA	Darrang	Sipajhar	Primary Health Centre
186	HENGALPARA	Darrang	Sipajhar	Primary Health Centre
187	KALITAPARA	Darrang	Sipajhar	Primary Health Centre
188	KENDUGURI	Darrang	Sipajhar	Primary Health Centre
189	KURUA SD	Darrang	Sipajhar	Primary Health Centre
190	LAWJAN	Darrang	Sipajhar	Primary Health Centre
191	Amguri MPHC	Dhemaji	Dhemaji	Primary Health Centre
192	Batgharia SHC	Dhemaji	Dhemaji	Primary Health Centre
193	Changchangia Riverine PHC	Dhemaji	Dhemaji	Primary Health Centre
194	Dhemaji UHC	Dhemaji	Notmapped	Urban Primary Health Centre
195	Lakhipathar MPHC	Dhemaji	Dhemaji	Primary Health Centre
196	Machkhowa MPHC	Dhemaji	Machkhowa	Primary Health Centre
197	Adut Gaon Riverine PHC	Dhemaji	Bordoloni	Primary Health Centre
198	Borala New PHC	Dhemaji	Bordoloni	Primary Health Centre
199	Bordoloni MPHC	Dhemaji	Bordoloni	Primary Health Centre
200	Chowkham Gaon PHC	Dhemaji	Bordoloni	Primary Health Centre
201	Gerukamukh UHC	Dhemaji	Bordoloni	Primary Health Centre



202	Bijoypur MPHC	Dhemaji	Murkongselek	Primary Health Centre
203	Dekapam MPHC	Dhemaji	Murkongselek	Primary Health Centre
204	Jonai PHC	Dhemaji	Murkongselek	Primary Health Centre
205	Ramdhan MPHC	Dhemaji	Murkongselek	Primary Health Centre
206	Simen Chapori New MPHC	Dhemaji	Murkongselek	Primary Health Centre
207	Telam MPHC	Dhemaji	Murkongselek	Primary Health Centre
208	Chimenmukh MPHC	Dhemaji	Sissiborgaon	Primary Health Centre
209	Deorighat MPHC	Dhemaji	Sissiborgaon	Primary Health Centre
210	Khanamukh MPHC	Dhemaji	Sissiborgaon	Primary Health Centre
211	Mechaki Tangani New PHC	Dhemaji	Sissiborgaon	Primary Health Centre
212	Silapathar UHC	Dhemaji	Notmapped	Urban Primary Health Centre
213	Sissiborgaon BPHC	Dhemaji	Sissiborgaon	Primary Health Centre
214	Baterhat SD	Dhubri	Agomani	Primary Health Centre
215	Satrasal MPHC	Dhubri	Agomani	Primary Health Centre
216	Futkibari	Dhubri	BILASIPARA	Primary Health Centre
217	Gutipara PHC	Dhubri	Nayeralga	Primary Health Centre
218	Lakhiganj SD	Dhubri	BILASIPARA	Primary Health Centre
219	Masneralga Char PHC	Dhubri	BILASIPARA	Primary Health Centre
220	Nayeralga Bazar Char PHC	Dhubri	Nayeralga	Primary Health Centre
221	Raniganj PHC	Dhubri	BILASIPARA	Primary Health Centre
222	Santipur MPHC	Dhubri	MAHAMAYA	Primary Health Centre
223	Sapotgram SHC	Dhubri	Notmapped	Urban Primary Health Centre
224	Bahalpur SD	Dhubri	Chapar Salkocha	Primary Health Centre
225	CHAMPAWATI MPHC(RANGAMATI)	Dhubri	Chapar Salkocha	Primary Health Centre
226	Puthimari (New Market) Char PHC	Dhubri	Chapar Salkocha	Primary Health Centre
227	SALKOCHA SHC	Dhubri	Chapar Salkocha	Primary Health Centre
228	Airkata Bazar Char PHC	Dhubri	Jamadarhat	Primary Health Centre
229	Baraibari Char PHC	Dhubri	DEBITOLA	Primary Health Centre
230	Bhogdahar Char PHC	Dhubri	Gauripur	Primary Health Centre
231	Birshing Pt I Char PHC	Dhubri	Birshing-Jarua	Primary Health Centre



232	CHIRAKUTI MPHC	Dhubri	Jamadarhat	Primary Health Centre
233	Dharmasala PHC	Dhubri	Gauripur	Primary Health Centre
234	Dhubri Health and Maternity Centre	Dhubri	Notmapped	Urban Primary Health Centre
235	Geramari MPHC	Dhubri	DEBITOLA	Primary Health Centre
236	JARUA MPHC	Dhubri	Birshing-Jarua	Primary Health Centre
237	Katlamari Bazar Char PHC	Dhubri	Birshing-Jarua	Primary Health Centre
238	Mahamaya Char PHC	Dhubri	Birshing-Jarua	Primary Health Centre
239	Medortary SD	Dhubri	Jamadarhat	Primary Health Centre
240	Urban Health Centre	Dhubri	Notmapped	Urban Primary Health Centre
241	Berbhangi SD	Dhubri	Gauripur	Primary Health Centre
242	Dhepdhepi MPHC	Dhubri	Gauripur	Primary Health Centre
243	Dumardaha MPHC	Dhubri	Gauripur	Primary Health Centre
244	Golakganj PHC	Dhubri	GOLAKGANJ	Primary Health Centre
245	Kachokhana SD	Dhubri	GOLAKGANJ	Primary Health Centre
246	Paglahat MPHC	Dhubri	GOLAKGANJ	Primary Health Centre
247	Tamahat MPHC	Dhubri	Hatidhura	Primary Health Centre
248	PANITOLA BPHC	Dibrugarh	Panitola	Primary Health Centre
249	Rahmoria MPHC	Dibrugarh	Lahoal	Primary Health Centre
250	Rongchongi MPHC	Dibrugarh	Panitola	Primary Health Centre
251	DIBRUGARH SD	Dibrugarh	Notmapped	Urban Primary Health Centre
252	Dibrugarh UPHC	Dibrugarh	Notmapped	Urban Primary Health Centre
253	Ghoramora SD	Dibrugarh	Lahoal	Primary Health Centre
254	LAHOWAL BPHC	Dibrugarh	Lahoal	Primary Health Centre
255	BARBARUAH BPHC	Dibrugarh	Barbaruah	Primary Health Centre
256	Dibrumukh SD	Dibrugarh	Barbaruah	Primary Health Centre
257	Jamirah Tvr SD	Dibrugarh	Barbaruah	Primary Health Centre
258	Kolakhowa MPHC	Dibrugarh	Barbaruah	Primary Health Centre
259	Modhupur SD	Dibrugarh	Barbaruah	Primary Health Centre
260	Namoni Borpathar MPHC	Dibrugarh	Barbaruah	Primary Health Centre
261	Ghuraghas New PHC	Dibrugarh	Khowang	Primary Health Centre
262	KHOWANG BPHC	Dibrugarh	Khowang	Primary Health Centre



263	Moran SD	Dibrugarh	Khowang	Primary Health Centre
264	Sepon Chakalia New PHC	Dibrugarh	Khowang	Primary Health Centre
265	Sessughat MPHC	Dibrugarh	Khowang	Primary Health Centre
266	Tinthengia MPHC	Dibrugarh	Khowang	Primary Health Centre
267	Joypur SD	Dibrugarh	Joypur	Primary Health Centre
268	Naharkatia SD	Dibrugarh	Notmapped	Urban Primary Health Centre
269	Namrup MPHC	Dibrugarh	Joypur	Primary Health Centre
270	Nigam MPHC	Dibrugarh	Joypur	Primary Health Centre
271	Bhadoi Panchali PHC	Dibrugarh	Tengakhat	Primary Health Centre
272	Duliajan UHC	Dibrugarh	Notmapped	Urban Primary Health Centre
273	Kacharipathar MPHC	Dibrugarh	Tengakhat	Primary Health Centre
274	Mohmari Merbil PHC	Dibrugarh	Tengakhat	Primary Health Centre
275	Sissia Bokuloni SD	Dibrugarh	Tengakhat	Primary Health Centre
276	Telpani Chaharikota PHC	Dibrugarh	Tengakhat	Primary Health Centre
277	Dhaman Halmari	Dibrugarh	Tingkhong	Primary Health Centre
278	Disang Rongsowal PHC	Dibrugarh	Tingkhong	Primary Health Centre
279	Tingkhong MPHC	Dibrugarh	Tingkhong	Primary Health Centre
280	Boro Arkap SHC	Dima Hasao	Jatinga Valley	Primary Health Centre
281	Dehangi SD	Dima Hasao	New Sangbar	Primary Health Centre
282	Diyungmukh MPHC	Dima Hasao	Diyungbra	Primary Health Centre
283	Gunjung BPHC	Dima Hasao	Diyang Valley	Primary Health Centre
284	Hajaidisa SHC	Dima Hasao	Diyang Valley	Primary Health Centre
285	Harangajao MPHC	Dima Hasao	Harangajao	Primary Health Centre
286	Jatinga SD	Dima Hasao	Harangajao	Primary Health Centre
287	Khepre PHC	Dima Hasao	Diyang Valley	Primary Health Centre
288	Laisong SHC	Dima Hasao	Jatinga Valley	Primary Health Centre
289	Langting BPHC	Dima Hasao	Diyang Valley	Primary Health Centre
290	Mahur BPHC	Dima Hasao	Jatinga Valley	Primary Health Centre
291	Urban Health Centre, Haflong	Dima Hasao	Notmapped	Urban Primary Health Centre
292	Barvita MPHC	Goalpara	Kharmuza	Primary Health Centre
293	BORDHAMAL SD	Goalpara	Balijana	Primary Health Centre



294	Markula New PHC	Goalpara	Balijana	Primary Health Centre
295	Maternity & Child Health Centre	Goalpara	Notmapped	Urban Primary Health Centre
296	Tiapara Char PHC	Goalpara	Balijana	Primary Health Centre
297	Urban Health Centre	Goalpara	Notmapped	Urban Primary Health Centre
298	DARANGGIRI SD	Goalpara	Kuchdhowa	Primary Health Centre
299	KUSHDHOWA SD	Goalpara	Kuchdhowa	Primary Health Centre
300	THABALPARA MPHC	Goalpara	Kuchdhowa	Primary Health Centre
301	CHAIBARI MPHC	Goalpara	Lakhipur	Primary Health Centre
302	Chunari Char PHC	Goalpara	Lakhipur	Primary Health Centre
303	DHUMERGHAT SD	Goalpara	Jaleswar	Primary Health Centre
304	Chenimari MPHC	Goalpara	Krishnai	Primary Health Centre
305	DAHELA MAJ-JAKHILI SD	Goalpara	Matia	Primary Health Centre
306	KRISHNAI MPHC	Goalpara	Krishnai	Primary Health Centre
307	Simlitola Char PHC	Goalpara	Matia	Primary Health Centre
308	AMBARI MPHC	Goalpara	Rongjuli	Primary Health Centre
309	Amjonga New PHC	Goalpara	Kuchdhowa	Primary Health Centre
310	Bagdoba MPHC	Goalpara	Rongjuli	Primary Health Centre
311	KHUTABARI MPHC	Goalpara	Rongjuli	Primary Health Centre
312	SIMLITOLA MPHC	Goalpara	Rongjuli	Primary Health Centre
313	AGIA BPHC	Goalpara	Balijana	Primary Health Centre
314	BADAHPUR SD	Goalpara	Balijana	Primary Health Centre
315	BAGUAN SD	Goalpara	Kharmuza	Primary Health Centre
316	JOYPUR MPHC	Goalpara	Kharmuza	Primary Health Centre
317	KHARMUJA MPHC	Goalpara	Kharmuza	Primary Health Centre
318	MESSELKHOWA MPHC	Goalpara	Krishnai	Primary Health Centre
319	DAMRA MPHC	Goalpara	Kuchdhowa	Primary Health Centre
320	BAIDA SHC	Goalpara	Lakhipur	Primary Health Centre
321	CHUNARI SD	Goalpara	Lakhipur	Primary Health Centre
322	BOHATI MPHC	Goalpara	Matia	Primary Health Centre
323	DILMAJAKHILI SD	Goalpara	Matia	Primary Health Centre
324	DOLGOMA SD	Goalpara	Matia	Primary Health Centre



325	HARIMURA SD	Goalpara	Matia	Primary Health Centre
326	KHARDANG MPHC	Goalpara	Krishnai	Primary Health Centre
327	MORNOI BPHC	Goalpara	Matia	Primary Health Centre
328	TIPLAI MPHC	Goalpara	Rongjuli	Primary Health Centre
329	Kamar Gaon MPHC	Golaghat	Golaghat West	Primary Health Centre
330	Mahuramukh MPHC	Golaghat	Golaghat West	Primary Health Centre
331	BILATIA MPHC	Golaghat	Kakodonga	Primary Health Centre
332	DERGAON SHC	Golaghat	Kakodonga	Primary Health Centre
333	Dhudung Uzir Ati PHC	Golaghat	Golaghat North	Primary Health Centre
334	KHAKANDAGURI MPHC	Golaghat	Golaghat North	Primary Health Centre
335	KHAT GAON MPHC	Golaghat	Kakodonga	Primary Health Centre
336	MISSAMORA BPHC	Golaghat	Golaghat North	Primary Health Centre
337	ATHKHELIA MPHC	Golaghat	Golaghat East	Primary Health Centre
338	BARUAGAON MPHC	Golaghat	Golaghat East	Primary Health Centre
339	DAKHIN HENGERA MPHC	Golaghat	Golaghat Central	Primary Health Centre
340	FURKATING SD	Golaghat	Golaghat East	Primary Health Centre
341	Gonesh Bora MPHC	Golaghat	Golaghat East	Primary Health Centre
342	KABORU GAON MPHC	Golaghat	Golaghat East	Primary Health Centre
343	Kamarbondha Ali BPHC	Golaghat	Golaghat Central	Primary Health Centre
344	LAKHIJURI MPHC	Golaghat	Golaghat East	Primary Health Centre
345	NOGURA MPHC	Golaghat	Golaghat East	Primary Health Centre
346	SALIKIHAT SHC	Golaghat	Golaghat East	Primary Health Centre
347	Soneswar Bora MPHC	Golaghat	Gomariguri	Primary Health Centre
348	Tenpur Urban Health Centre	Golaghat	Notmapped	Urban Primary Health Centre
349	Badulipar MPHC	Golaghat	Golaghat West	Primary Health Centre
350	Bhulaguri MPHC	Golaghat	Golaghat West	Primary Health Centre
351	Buralikson MPHC	Golaghat	Golaghat Central	Primary Health Centre
352	Charingia BPHC	Golaghat	Golaghat Central	Primary Health Centre
353	Chinatoli SD	Golaghat	Golaghat Central	Primary Health Centre
354	Dusutimukh SD	Golaghat	Golaghat West	Primary Health Centre
355	Kuralguri MPHC	Golaghat	Golaghat Central	Primary Health Centre



356	Mazikuchi MPHC	Golaghat	Golaghat Central	Primary Health Centre
357	Sumonigaon MPHC	Golaghat	Kakodonga	Primary Health Centre
358	Bhagyapur MPHC	Golaghat	Morongi	Primary Health Centre
359	Buragohain Khat SD	Golaghat	Morongi	Primary Health Centre
360	Morangi PHC	Golaghat	Morongi	Primary Health Centre
361	Naharchalla MPHC	Golaghat	Morongi	Primary Health Centre
362	Ponka MPHC	Golaghat	Morongi	Primary Health Centre
363	Bilgaon MPHC	Golaghat	Golaghat South	Primary Health Centre
364	Borpathar MPHC	Golaghat	Golaghat South	Primary Health Centre
365	Chungajan MPHC	Golaghat	Golaghat South	Primary Health Centre
366	Gelabil MPHC	Golaghat	Golaghat South	Primary Health Centre
367	Kachomari SD	Golaghat	Golaghat South	Primary Health Centre
368	NAOJAN MPHC	Golaghat	Golaghat South	Primary Health Centre
369	Chiporsangan NPHC	Hailakandi	Algapur	Primary Health Centre
370	Kalinagar PHC	Hailakandi	Algapur	Primary Health Centre
371	North Narainpur NPHC	Hailakandi	Algapur	Primary Health Centre
372	Bhajantipur PHC	Hailakandi	Hailakandi	Primary Health Centre
373	Matijuri SHC	Hailakandi	Hailakandi	Primary Health Centre
374	Santushnagar PHC	Hailakandi	Hailakandi	Primary Health Centre
375	Urban Helath Centre	Hailakandi	Notmapped	Urban Primary Health Centre
376	Garmura NPHC	Hailakandi	South Hailakandi	Primary Health Centre
377	Gharmura FV PHC	Hailakandi	South Hailakandi	Primary Health Centre
378	Jamira SD	Hailakandi	South Hailakandi	Primary Health Centre
379	Katlicherra PHC	Hailakandi	Katlicherra	Primary Health Centre
380	Bilaipur MPHC	Hailakandi	Lala	Primary Health Centre
381	Rajeswarpur PHC	Hailakandi	Lala	Primary Health Centre
382	Vernerpur PHC	Hailakandi	Lala	Primary Health Centre
383	Jamunamukh	Hojai	Binakandi	Primary Health Centre
384	Dighaljar	Hojai	Binakandi	Primary Health Centre
385	Derapather SD	Hojai	Lumding	Primary Health Centre
386	Kaki MPHC	Hojai	Lumding	Primary Health Centre



387	Kapashbari	Hojai	Binakandi	Primary Health Centre
388	Khangar Goan New PHC	Hojai	Lumding	Primary Health Centre
389	Lanka PHC	Hojai	Notmapped	Urban Primary Health Centre
390	Sarkebasti New PHC	Hojai	Lumding	Primary Health Centre
391	Attapam MPHC	Jorhat	Jorhat	Primary Health Centre
392	Baghchung BPHC	Jorhat	Jorhat	Primary Health Centre
393	Bisturam Barua State Dispensary	Jorhat	Notmapped	Urban Primary Health Centre
394	Kachogoral MPHC	Jorhat	North West Jorhat	Primary Health Centre
395	Pulinahoroni MPHC	Jorhat	Jorhat Central	Primary Health Centre
396	Tankeswar Sarma	Jorhat	North West Jorhat	Primary Health Centre
397	DEBNATH MPHC	Jorhat	North West Jorhat	Primary Health Centre
398	Dhekorgora	Jorhat	North West Jorhat	Primary Health Centre
399	Dohotia SD	Jorhat	Jorhat	Primary Health Centre
400	Gorumora MPHC	Jorhat	North West Jorhat	Primary Health Centre
401	Jorhat Urban Health Centre	Jorhat	Notmapped	Urban Primary Health Centre
402	Kolbari SD	Jorhat	North West Jorhat	Primary Health Centre
403	Noborachuck	Jorhat	North West Jorhat	Primary Health Centre
404	Ownamukh SD	Jorhat	North West Jorhat	Primary Health Centre
405	Pokamura MPHC	Jorhat	Jorhat	Primary Health Centre
406	Puronimati SHC	Jorhat	North West Jorhat	Primary Health Centre
407	SOLMORA BPHC	Jorhat	North West Jorhat	Primary Health Centre
408	Mariani MPHC	Jorhat	Notmapped	Urban Primary Health Centre
409	Mariani Urban	Jorhat	Notmapped	Urban Primary Health Centre
410	Nakachari BPHC	Jorhat	Jorhat East	Primary Health Centre
411	BHOGAMUKH BPHC	Jorhat	Kaliapani	Primary Health Centre
412	Cenijan MPHC	Jorhat	Jorhat Central	Primary Health Centre
413	Janjimukh SD	Jorhat	Kaliapani	Primary Health Centre



414	Kakojan PHC	Jorhat	Jorhat Central	Primary Health Centre
415	OUGURI MPHC	Jorhat	Kaliapani	Primary Health Centre
416	Selenghat MPHC	Jorhat	Jorhat East	Primary Health Centre
417	Bekajan MPHC	Jorhat	Titabor	Primary Health Centre
418	Borbamchungi MPHC	Jorhat	Titabor	Primary Health Centre
419	Jalukonibari SD	Jorhat	Jorhat	Primary Health Centre
420	Melamati MPHC	Jorhat	Titabor	Primary Health Centre
421	Mohimabari MPHC	Jorhat	Titabor	Primary Health Centre
422	Raidangjuri MPHC	Jorhat	Titabor	Primary Health Centre
423	Samoguri MPHC	Jorhat	Titabor	Primary Health Centre
424	Tipomia SD	Jorhat	Titabor	Primary Health Centre
425	Titabar BPHC	Jorhat	Notmapped	Urban Primary Health Centre
426	Urangial MPHC	Jorhat	Titabor	Primary Health Centre
427	Bhalukghata SD	Kamrup	Boko	Primary Health Centre
428	Chatabari SD	Kamrup	Bongaon	Primary Health Centre
429	Dhupguri SD	Kamrup	Boko	Primary Health Centre
430	Hahim SD	Kamrup	Boko	Primary Health Centre
431	Jambari MPHC	Kamrup	Bongaon	Primary Health Centre
432	Tarabari SD	Kamrup	Boko	Primary Health Centre
433	Barua Balijhar MPHC	Kamrup	Chamaria	Primary Health Centre
434	Chamaria SD	Kamrup	Chamaria	Primary Health Centre
435	Batahidia Char PHC	Kamrup	Chaygaon	Primary Health Centre
436	Chhaygaon OPD	Kamrup	Chaygaon	Primary Health Centre
437	Deochar MPHC	Kamrup	Bongaon	Primary Health Centre
438	G.B. MPHC	Kamrup	Chaygaon	Primary Health Centre
439	Gumi MPHC	Kamrup	Chaygaon	Primary Health Centre
440	Jalukbari Pantan MPHC	Kamrup	Chaygaon	Primary Health Centre
441	Jamuguri MPHC	Kamrup	Chaygaon	Primary Health Centre
442	Jorsimolu New PHC	Kamrup	Chaygaon	Primary Health Centre
443	Panikhaity Char PHC	Kamrup	Chaygaon	Primary Health Centre
444	Alikash SD	Kamrup	Chaygaon	Primary Health Centre



445	Bangalpara Char PHC	Kamrup	Hajo	Primary Health Centre
446	Bongshar New PHC	Kamrup	Sualkuchi	Primary Health Centre
447	Boromboi MPHC	Kamrup	Hajo	Primary Health Centre
448	Buragohainthan MPHC	Kamrup	Hajo	Primary Health Centre
449	Dampur SD	Kamrup	Sualkuchi	Primary Health Centre
450	Dihina MPHC	Kamrup	Hajo	Primary Health Centre
451	Halogaon MPHC	Kamrup	Sualkuchi	Primary Health Centre
452	Ramdia SD	Kamrup	Hajo	Primary Health Centre
453	Soniadi MPHC	Kamrup	Hajo	Primary Health Centre
454	Dorakohora SD	Kamrup	Kamalpur	Primary Health Centre
455	Guiya SD	Kamrup	Kamalpur	Primary Health Centre
456	Haldha MPHC	Kamrup	Bihdia -Jajikona	Primary Health Centre
457	Puthimari MPHC	Kamrup	Kamalpur	Primary Health Centre
458	Balisatra SD	Kamrup	Rangia	Primary Health Centre
459	Bamunbari MPHC	Kamrup	Chamaria	Primary Health Centre
460	Hekera SD	Kamrup	Chamaria	Primary Health Centre
461	Malibari MPHC	Kamrup	Chamaria	Primary Health Centre
462	Nagarbera BPHC	Kamrup	Chamaria	Primary Health Centre
463	Naitar Kalyanpur MPHC	Kamrup	Chamaria	Primary Health Centre
464	Tupamari MPHC	Kamrup	Chamaria	Primary Health Centre
465	Athiaboi Bonmaja MPHC	Kamrup	Bezera	Primary Health Centre
466	Baihata Chariali MPHC	Kamrup	Bezera	Primary Health Centre
467	Changsari SD	Kamrup	Bezera	Primary Health Centre
468	North Guwahati BPHC	Kamrup	Bezera	Primary Health Centre
469	North Guwahati OPD	Kamrup	Bezera	Primary Health Centre
470	Phulung MPHC	Kamrup	Bezera	Primary Health Centre
471	Suktaguri (Manikarneswar) MPHC	Kamrup	Bezera	Primary Health Centre
472	Garal MPHC	Kamrup	Rani	Primary Health Centre
473	Guimara SD	Kamrup	Rampur	Primary Health Centre
474	Jharobari MPHC	Kamrup	Chayani	Primary Health Centre
475	Kulshi SD	Kamrup	Chayani	Primary Health Centre



476	Loharghat SD	Kamrup	Rampur	Primary Health Centre
477	Mataikhar MPHC	Kamrup	Chayani	Primary Health Centre
478	Moniari Tiniali SD	Kamrup	Rani	Primary Health Centre
479	Nahira SD	Kamrup	Rampur	Primary Health Centre
480	Palasbari SD	Kamrup	Rani	Primary Health Centre
481	Rajapara SD	Kamrup	Rampur	Primary Health Centre
482	Rampur BPHC	Kamrup	Rampur	Primary Health Centre
483	U&C Goswami PHC	Kamrup	Rani	Primary Health Centre
484	Uparhali BPHC	Kamrup	Rani	Primary Health Centre
485	Baranghati MPHC	Kamrup	Rangia	Primary Health Centre
486	Bihdia BPHC	Kamrup	Bihdia -Jajikona	Primary Health Centre
487	Koniha SD	Kamrup	Rangia	Primary Health Centre
488	Madhyapanduri MPHC	Kamrup	Rangia	Primary Health Centre
489	Puranburka MPHC	Kamrup	Rangia	Primary Health Centre
490	BIRKUCHI UHC	Kamrup Metro	Notmapped	Urban Primary Health Centre
491	Chandrapur PHC	Kamrup Metro	Chandrapur	Primary Health Centre
492	PANIKHATI MPHC	Kamrup Metro	Chandrapur	Primary Health Centre
493	BASISTHA UHC	Kamrup Metro	Notmapped	Urban Primary Health Centre
494	BHETEPARA SD	Kamrup Metro	Notmapped	Urban Primary Health Centre
495	BIDHAN SABHA SWASTHYA SEVA KENDRA	Kamrup Metro	Notmapped	Urban Primary Health Centre
496	CAPITAL SD	Kamrup Metro	Notmapped	Urban Primary Health Centre
497	EAST GHY SD	Kamrup Metro	Notmapped	Urban Primary Health Centre
498	GANDHIBASTI UHC	Kamrup Metro	Notmapped	Urban Primary Health Centre
499	HENGRABARI MU	Kamrup Metro	Notmapped	Urban Primary Health Centre
500	JANATA BHAWAN MEDICAL UNIT	Kamrup Metro	Notmapped	Urban Primary Health Centre
501	KAHILIPARA UHC	Kamrup Metro	Notmapped	Urban Primary Health Centre
502	KHANAPARA SD	Kamrup Metro	Notmapped	Urban Primary Health Centre
503	KOINADHARA UHC	Kamrup Metro	Notmapped	Urban Primary Health Centre
504	LAKHORA SD	Kamrup Metro	Notmapped	Urban Primary Health Centre
505	NATBOMA PHC	Kamrup Metro	Notmapped	Urban Primary Health Centre



506	SATGAON SD	Kamrup Metro	Notmapped	Urban Primary Health Centre
507	Serabbhati UHC	Kamrup Metro	Notmapped	Urban Primary Health Centre
508	ULUBARI UHC	Kamrup Metro	Notmapped	Urban Primary Health Centre
509	ADINGGIRI PHC	Kamrup Metro	Notmapped	Urban Primary Health Centre
510	Amingaon UHC	Kamrup Metro	Bezera (Pt)	Primary Health Centre
511	BATAGHULI UHC	Kamrup Metro	Notmapped	Urban Primary Health Centre
512	CHOONSALI UHC	Kamrup Metro	Notmapped	Urban Primary Health Centre
513	FATASIL UHC	Kamrup Metro	Notmapped	Urban Primary Health Centre
514	FERRY GHAT UHC	Kamrup Metro	Notmapped	Urban Primary Health Centre
515	GARH PANDU UHC	Kamrup Metro	Notmapped	Urban Primary Health Centre
516	GARIGAON SD	Kamrup Metro	Notmapped	Urban Primary Health Centre
517	GOTANAGAR UHC	Kamrup Metro	Notmapped	Urban Primary Health Centre
518	Hatigarh Chariali UHC	Kamrup Metro	Notmapped	Urban Primary Health Centre
519	KAMAKHYA SD	Kamrup Metro	Notmapped	Urban Primary Health Centre
520	KHARGHULI MPHC	Kamrup Metro	Notmapped	Urban Primary Health Centre
521	KRISHNANAGAR UPHC	Kamrup Metro	Notmapped	Urban Primary Health Centre
522	MATHGHARIA UHC	Kamrup Metro	Notmapped	Urban Primary Health Centre
523	NORTH GHY UHC	Kamrup Metro	Bezera (Pt)	Primary Health Centre
524	ODALBAKRA MPHC	Kamrup Metro	Notmapped	Urban Primary Health Centre
525	PANDU NATH UHC	Kamrup Metro	Notmapped	Urban Primary Health Centre
526	Piyoli Phukan UHC	Kamrup Metro	Notmapped	Urban Primary Health Centre
527	RAJ BHAWAN MEDICAL UNIT	Kamrup Metro	Notmapped	Urban Primary Health Centre
528	WEST GHY SD	Kamrup Metro	Notmapped	Urban Primary Health Centre
529	DIGARU SD	Kamrup Metro	Dimoria	Primary Health Centre
530	DIMORIA SD	Kamrup Metro	Dimoria	Primary Health Centre
531	HAHARA MPHC	Kamrup Metro	Dimoria	Primary Health Centre
532	HATIBAGARA MPHC	Kamrup Metro	Chandrapur	Primary Health Centre
533	KAMARPUR MPHC	Kamrup Metro	Dimoria	Primary Health Centre
534	KHETRI SD	Kamrup Metro	Dimoria	Primary Health Centre
535	MALOIBARI MPHC	Kamrup Metro	Dimoria	Primary Health Centre
536	NORTAP MPHC	Kamrup Metro	Dimoria	Primary Health Centre



537	SONAPUR PHC	Kamrup Metro	Dimoria	Primary Health Centre
538	TAMULIKUCHI SD	Kamrup Metro	Dimoria	Primary Health Centre
539	Borlangfer MPHC	Karbi Anglong	Lumbajong	Primary Health Centre
540	Dhansiri MPHC	Karbi Anglong	Lumbajong	Primary Health Centre
541	Dillai SD	Karbi Anglong	Bokajan	Primary Health Centre
542	Diphu Urban Health Centre	Karbi Anglong	Notmapped	Urban Primary Health Centre
543	Hidipi PHC	Karbi Anglong	Bokajan	Primary Health Centre
544	Manja BPHC	Karbi Anglong	Lumbajong	Primary Health Centre
545	Mohongdijua SHC	Karbi Anglong	Lumbajong	Primary Health Centre
546	Centre Bazar MPHC	Karbi Anglong	Howraghat	Primary Health Centre
547	DENGAON PHC	Karbi Anglong	Samelangso	Primary Health Centre
548	DOKMOKA MPHC	Karbi Anglong	Howraghat	Primary Health Centre
549	JAIPONG MPHC	Karbi Anglong	Langsomepi	Primary Health Centre
550	LANGHIN MPHC	Karbi Anglong	Howraghat	Primary Health Centre
551	OKRENG SHC	Karbi Anglong	Howraghat	Primary Health Centre
552	PARKUP PAHAR MPHC	Karbi Anglong	Rongmongwe	Primary Health Centre
553	RAJAPATHER MPHC	Karbi Anglong	Langsomepi	Primary Health Centre
554	Samaguri SD	Karbi Anglong	Howraghat	Primary Health Centre
555	TEKELANGJUN SHC	Karbi Anglong	Samelangso	Primary Health Centre
556	Balipothar MPHC	Karbi Anglong	Bokajan	Primary Health Centre
557	Borpothar SD	Karbi Anglong	Bokajan	Primary Health Centre
558	Chokihola	Karbi Anglong	Nilip	Primary Health Centre
559	Deithor	Karbi Anglong	Nilip	Primary Health Centre
560	Dolamara	Karbi Anglong	Rongmongwe	Primary Health Centre
561	Malasipathar	Karbi Anglong	Rongmongwe	Primary Health Centre
562	Rongmongve	Karbi Anglong	Rongmongwe	Primary Health Centre
563	Adarkuna MPHC	Karimganj	Badarpur	Primary Health Centre
564	Badarpur SHC	Karimganj	Notmapped	Urban Primary Health Centre
565	Bhanga SD	Karimganj	Badarpur	Primary Health Centre
566	Mahakal T.C.	Karimganj	Badarpur	Primary Health Centre
567	Dasgram SHC	Karimganj	North Karimganj	Primary Health Centre



568	Latu MPHC	Karimganj	North Karimganj	Primary Health Centre
569	Maizgram SD	Karimganj	North Karimganj	Primary Health Centre
570	URBAN HEALTH CENTRE	Karimganj	Notmapped	Urban Primary Health Centre
571	Fatehpur (Moulana Abdul Jalil Memorial Hospital) PHC	Karimganj	South Karimganj	Primary Health Centre
572	Kaliganj MPHC	Karimganj	Badarpur	Primary Health Centre
573	Monosangan SD	Karimganj	Badarpur	Primary Health Centre
574	Nilambazar PHC	Karimganj	South Karimganj	Primary Health Centre
575	Ranibari PHC	Karimganj	North Karimganj	Primary Health Centre
576	Bazaricherra SHC	Karimganj	Lowairpoa	Primary Health Centre
577	Duhalia SD	Karimganj	Patharkandi	Primary Health Centre
578	Ishabeel PHC	Karimganj	Lowairpoa	Primary Health Centre
579	Lakhipur PHC	Karimganj	Patharkandi	Primary Health Centre
580	Longai PHC	Karimganj	Patharkandi	Primary Health Centre
581	Nagra Bazar MPHC	Karimganj	Lowairpoa	Primary Health Centre
582	Tilbhum PHC	Karimganj	Lowairpoa	Primary Health Centre
583	Tokerbazar PHC	Karimganj	South Karimganj	Primary Health Centre
584	Anandapur PHC	Karimganj	Ramkrishna Nagar	Primary Health Centre
585	Bidyanagar PHC	Karimganj	Dullavcherra	Primary Health Centre
586	CHERAGI PHC	Karimganj	Dullavcherra	Primary Health Centre
587	Chorgola MPHC	Karimganj	Ramkrishna Nagar	Primary Health Centre
588	Doloo MPHC	Karimganj	Ramkrishna Nagar	Primary Health Centre
589	Kalacherra MPHC	Karimganj	Dullavcherra	Primary Health Centre
590	Kalibaribazar SD	Karimganj	Ramkrishna Nagar	Primary Health Centre
591	Nagendranagar PHC	Karimganj	Ramkrishna Nagar	Primary Health Centre
592	Nivia PHC	Karimganj	Dullavcherra	Primary Health Centre
593	R.K.NAGAR PHC	Karimganj	Notmapped	Urban Primary Health Centre
594	VETERBOND SD	Karimganj	Dullavcherra	Primary Health Centre
595	Bahgorah MPHC	Lakhimpur	Bihpuria	Primary Health Centre
596	Harmotty Mini PHC	Lakhimpur	Karunabari	Primary Health Centre



597	Islampur State Dispensary	Lakhimpur	Karunabari	Primary Health Centre
598	Keyamora MPHC	Lakhimpur	Karunabari	Primary Health Centre
599	Meneha MPHC	Lakhimpur	Karunabari	Primary Health Centre
600	Bakulguri Riverine PHC	Lakhimpur	Dhakuakhana	Primary Health Centre
601	Harhi MPHC	Lakhimpur	Dhakuakhana	Primary Health Centre
602	Kekuripamua MPHC	Lakhimpur	Dhakuakhana	Primary Health Centre
603	Matmora SD	Lakhimpur	Dhakuakhana	Primary Health Centre
604	Badhakora Mini PHC	Lakhimpur	Boginadi	Primary Health Centre
605	Chawldhowaghat MPHC	Lakhimpur	Boginadi	Primary Health Centre
606	Dorge Riverine PHC	Lakhimpur	Boginadi	Primary Health Centre
607	Seajuli MPHC	Lakhimpur	Boginadi	Primary Health Centre
608	Borgula PHC	Lakhimpur	Nowboicha	Primary Health Centre
609	Gorsiga State Dispensary	Lakhimpur	Nowboicha	Primary Health Centre
610	Phulbari 10 Bedded New PHC	Lakhimpur	Nowboicha	Primary Health Centre
611	Rampur PHC	Lakhimpur	Nowboicha	Primary Health Centre
612	Bholabori 10 Bedded New PHC	Lakhimpur	Narayanpur	Primary Health Centre
613	Kherajkhat SD	Lakhimpur	Narayanpur	Primary Health Centre
614	Simoluguri SHC	Lakhimpur	Narayanpur	Primary Health Centre
615	Azad SD	Lakhimpur	Nowboicha	Primary Health Centre
616	Chaporigaon Urban Health Centre	Lakhimpur	Notmapped	Urban Primary Health Centre
617	Gharmora Mini PHC	Lakhimpur	Lakhimpur	Primary Health Centre
618	Jengrai Singimari Riverine PHC	Lakhimpur	Telahi	Primary Health Centre
619	North Lakhimpur Urban Centre	Lakhimpur	Notmapped	Urban Primary Health Centre
620	Panigaon SHC	Lakhimpur	Telahi	Primary Health Centre
621	Bebejia SD	Lakhimpur	Ghilamara	Primary Health Centre
622	Kekuri Bebejia MPHC	Lakhimpur	Ghilamara	Primary Health Centre
623	Sonarichapori Mini PHC	Lakhimpur	Ghilamara	Primary Health Centre
624	Bongaon SD	Majuli	Majuli	Primary Health Centre
625	Dakhinpat SD	Majuli	Majuli	Primary Health Centre
626	Gereki Riverine MPHC	Majuli	Majuli	Primary Health Centre
627	Karatipar MPHC	Majuli	Majuli	Primary Health Centre



628	Rangachahi SD	Majuli	Majuli	Primary Health Centre
629	Ratanpur Lahan MPHC	Majuli	Ujani Majuli	Primary Health Centre
630	Ratanpur Miri MPHC	Majuli	Ujani Majuli	Primary Health Centre
631	Jengpori Balichar	Marigaon	Laharighat	Primary Health Centre
632	Baralimari SD	Marigaon	Laharighat	Primary Health Centre
633	Bhuragaon SHC	Marigaon	Laharighat	Primary Health Centre
634	Borghat MPHC	Marigaon	Kapili	Primary Health Centre
635	Kathani Riverine PHC	Marigaon	Laharighat	Primary Health Centre
636	Kushtoli PHC	Marigaon	Laharighat	Primary Health Centre
637	Nagabandha PHC	Marigaon	Laharighat	Primary Health Centre
638	Niz Gerua SD	Marigaon	Laharighat	Primary Health Centre
639	Sialmari SD	Marigaon	Laharighat	Primary Health Centre
640	Ulubari Riverine PHC	Marigaon	Moirabari	Primary Health Centre
641	Ahatguri SHC	Marigaon	Mayang	Primary Health Centre
642	Baghara SD	Marigaon	Bhurbandha	Primary Health Centre
643	Baidyabori SHC	Marigaon	Bhurbandha	Primary Health Centre
644	Dharamtul SHC	Marigaon	Mayang	Primary Health Centre
645	Meruagaon SD	Marigaon	Bhurbandha	Primary Health Centre
646	Nellie SD	Marigaon	Mayang	Primary Health Centre
647	Udari SD	Marigaon	Bhurbandha	Primary Health Centre
648	Boha Barjari MPHC	Marigaon	Mayang	Primary Health Centre
649	Buragaon MPHC	Marigaon	Mayang	Primary Health Centre
650	Garmari SD	Marigaon	Mayang	Primary Health Centre
651	Jagibhakatgaon SD	Marigaon	Mayang	Primary Health Centre
652	Jhargaon PHC	Marigaon	Mayang	Primary Health Centre
653	Khandakhaity Riverine PHC	Marigaon	Mayang	Primary Health Centre
654	Loonemati SD	Marigaon	Mayang	Primary Health Centre
655	Manaha MPHC	Marigaon	Mayang	Primary Health Centre
656	Urban Health Centre	Marigaon	Mayang	Primary Health Centre
657	Charaibahi SD	Marigaon	Kapili	Primary Health Centre
658	Gakhajua MPHC	Marigaon	Dolongghat (Part)	Primary Health Centre



659	Habibarangabari MPHC (Mikirbheta SD)	Marigaon	Bhurbandha	Primary Health Centre
660	Jaluguti SD	Marigaon	Kapili	Primary Health Centre
661	Kahuaati SD	Marigaon	Dolongghat (Part)	Primary Health Centre
662	Kapahera SHC	Marigaon	Dolongghat (Part)	Primary Health Centre
663	Mikirbheta SD (Simaluguri SD)	Marigaon	Bhurbandha	Primary Health Centre
664	Monipurtup PHC	Marigaon	Kapili	Primary Health Centre
665	Ahomgaon SD	Nagaon	Batadrava	Primary Health Centre
666	Balikatia SD	Nagaon	Juria	Primary Health Centre
667	Batadrawa MPHC	Nagaon	Batadrava	Primary Health Centre
668	Bechamari PHC	Nagaon	Batadrava	Primary Health Centre
669	Dagaon BPHC	Nagaon	Juria	Primary Health Centre
670	Jengani Koladoba Riverine PHC	Nagaon	Juria	Primary Health Centre
671	Kandhulimari RPHC	Nagaon	Batadrava	Primary Health Centre
672	Katahguri NPHC	Nagaon	Batadrava	Primary Health Centre
673	Upper Doomdumia MPHC	Nagaon	Batadrava	Primary Health Centre
674	Bamuni MPHC	Nagaon	Kaliabor	Primary Health Centre
675	Kuthori MPHC	Nagaon	Kaliabor	Primary Health Centre
676	Kuwaritol MPHC	Nagaon	Pachim Kaliabor	Primary Health Centre
677	Naltali MPHC	Nagaon	Kaliabor	Primary Health Centre
678	Panigaon SD	Nagaon	Pachim Kaliabor	Primary Health Centre
679	Silghat MPHC	Nagaon	Kaliabor	Primary Health Centre
680	Simonabasti BPHC	Nagaon	Pachim Kaliabor	Primary Health Centre
681	Bagalajan SD	Nagaon	Raha	Primary Health Centre
682	Garukhunda SHC	Nagaon	Kathiatoli	Primary Health Centre
683	Kampur UHC	Nagaon	Notmapped	Urban Primary Health Centre
684	Kathiatoli PHC	Nagaon	Kathiatoli	Primary Health Centre
685	Lutumari New PHC	Nagaon	Kathiatoli	Primary Health Centre
686	Pub Kampur SD	Nagaon	Kathiatoli	Primary Health Centre
687	Singimari SD	Nagaon	Kathiatoli	Primary Health Centre
688	Aibheti MPHC	Nagaon	Dolongghat	Primary Health Centre



689	Barhampur SD	Nagaon	Kathiatoli	Primary Health Centre
690	Borjoha SD	Nagaon	Pakhimoria	Primary Health Centre
691	Borkola MPHC	Nagaon	Pakhimoria	Primary Health Centre
692	Buragohainthan BPHC	Nagaon	Pakhimoria	Primary Health Centre
693	Deodhar MPHC	Nagaon	Pakhimoria	Primary Health Centre
694	Dhing Gate UHC	Nagaon	Notmapped	Urban Primary Health Centre
695	Ghagarial MPHC	Nagaon	Pakhimoria	Primary Health Centre
696	Haldhiati MPHC	Nagaon	Dolongghat	Primary Health Centre
697	Hatichung MPHC	Nagaon	Dolongghat	Primary Health Centre
698	Jajari SD	Nagaon	Dolongghat	Primary Health Centre
699	Kachomari MPHC	Nagaon	Khagarijan	Primary Health Centre
700	Koroyani MPHC	Nagaon	Kathiatoli	Primary Health Centre
701	Makhuli UHC	Nagaon	Notmapped	Urban Primary Health Centre
702	Nonoi SD	Nagaon	Kathiatoli	Primary Health Centre
703	Pub Hatichung MPHC	Nagaon	Dolongghat	Primary Health Centre
704	Rangalumukh MPHC	Nagaon	Khagarijan	Primary Health Centre
705	Sillongoni MPHC	Nagaon	Khagarijan	Primary Health Centre
706	Singiaputani MPHC	Nagaon	Kathiatoli	Primary Health Centre
707	Amsoi SD	Nagaon	Raha	Primary Health Centre
708	Barapujia BPHC	Nagaon	Kapili Pt.I	Primary Health Centre
709	Ghahi MPHC	Nagaon	Raha	Primary Health Centre
710	Hatbor PHC	Nagaon	Raha	Primary Health Centre
711	Laopani SD	Nagaon	Raha	Primary Health Centre
712	Mahadewsal SHC	Nagaon	Raha	Primary Health Centre
713	Mohgorh Phuloguri MPHC	Nagaon	Raha	Primary Health Centre
714	Phulaguri SD	Nagaon	Raha	Primary Health Centre
715	Raha SHC	Nagaon	Raha	Primary Health Centre
716	Bhogamukh RPHC	Nagaon	Laokhowa	Primary Health Centre
717	Bhurbandha RPHC	Nagaon	Laokhowa	Primary Health Centre
718	Garajan SD	Nagaon	Laokhowa	Primary Health Centre
719	Jaramari NPHC	Nagaon	Juria	Primary Health Centre



720	Juria MPHC	Nagaon	Juria	Primary Health Centre
721	Singimari PHC	Nagaon	Laokhowa	Primary Health Centre
722	Tarabari MPHC	Nagaon	Laokhowa	Primary Health Centre
723	Ambagan SD	Nagaon	Laokhowa	Primary Health Centre
724	Bhatiakhali MPHC	Nagaon	Laokhowa	Primary Health Centre
725	Chapanala SD	Nagaon	Barhampur	Primary Health Centre
726	Kathpara MPHC	Nagaon	Laokhowa	Primary Health Centre
727	Khalihamari MPHC	Nagaon	Bajiagaon	Primary Health Centre
728	Kollongpar Haluagaon MPHC	Nagaon	Rupahi	Primary Health Centre
729	Laokhowa SHC	Nagaon	Laokhowa	Primary Health Centre
730	Lorimukh MPHC	Nagaon	Laokhowa	Primary Health Centre
731	Puranigudam SD	Nagaon	Barhampur	Primary Health Centre
732	Samaguri BPHC	Nagaon	Bajiagaon	Primary Health Centre
733	Singia Samaguri New PHC	Nagaon	Bajiagaon	Primary Health Centre
734	Udmari SD	Nagaon	Bajiagaon	Primary Health Centre
735	Banekuchi MPHC	Nalbari	Madhupur	Primary Health Centre
736	Burinagar MPHC	Nalbari	Madhupur	Primary Health Centre
737	Uttar Dharmapur MPHC	Nalbari	Madhupur	Primary Health Centre
738	Barkhala MPHC	Nalbari	Barigog Banbhag	Primary Health Centre
739	Kamarkuchi PHC	Nalbari	Borbhag	Primary Health Centre
740	Karia Bijulighat MPHC	Nalbari	Borbhag	Primary Health Centre
741	Marowa MPHC	Nalbari	Borbhag	Primary Health Centre
742	Sanekuchi SD	Nalbari	Borbhag	Primary Health Centre
743	Barnibari MPHC	Nalbari	Barkhetri	Primary Health Centre
744	Bartola MPHC	Nalbari	Barkhetri	Primary Health Centre
745	Daulashal MPHC	Nalbari	Barkhetri	Primary Health Centre
746	Kurihamari MPHC	Nalbari	Barkhetri	Primary Health Centre
747	Larkuchi PHC	Nalbari	Barkhetri	Primary Health Centre
748	Lowtola MPHC	Nalbari	Barkhetri	Primary Health Centre
749	Mugdi PHC	Nalbari	Barkhetri	Primary Health Centre
750	Narua MPHC	Nalbari	Barkhetri	Primary Health Centre



751	Peradharachar Riverine PHC	Nalbari	Barkhetri	Primary Health Centre
752	Sialmari Bejirsutipar Riverine PHC	Nalbari	Barkhetri	Primary Health Centre
753	Allia MPHC	Nalbari	Barigog Banbhag	Primary Health Centre
754	Balitora MPHC	Nalbari	Barigog Banbhag	Primary Health Centre
755	Dakhingaon SD	Nalbari	Barigog Banbhag	Primary Health Centre
756	Dhamdhama MPHC	Nalbari	Barigog Banbhag	Primary Health Centre
757	Ghograpar PHC	Nalbari	Barigog Banbhag	Primary Health Centre
758	Latima PHC	Nalbari	Barigog Banbhag	Primary Health Centre
759	Nilpur SD	Nalbari	Barigog Banbhag	Primary Health Centre
760	Silpotabori MPHC	Nalbari	Barigog Banbhag	Primary Health Centre
761	Vithamahal PHC	Nalbari	Barigog Banbhag	Primary Health Centre
762	Bhadra Arora MPHC	Nalbari	Pub Nalbari	Primary Health Centre
763	Chandakuchi SHC	Nalbari	Pub Nalbari	Primary Health Centre
764	Harimandir Urban PHC	Nalbari	Pub Nalbari	Primary Health Centre
765	Hati Namati SD	Nalbari	Pub Nalbari	Primary Health Centre
766	Nalbari Urban Health Centre	Nalbari	Notmapped	Urban Primary Health Centre
767	Nankarbhira Bhakatram SHC	Nalbari	Pub Nalbari	Primary Health Centre
768	Niz Bahjani MPHC	Nalbari	Pub Nalbari	Primary Health Centre
769	Barbila MPHC	Nalbari	Paschim Nalbari	Primary Health Centre
770	Bolowa SHC	Nalbari	Paschim Nalbari	Primary Health Centre
771	Boritapa MPHC	Nalbari	Paschim Nalbari	Primary Health Centre
772	Jagara PHC	Nalbari	Paschim Nalbari	Primary Health Centre
773	Pipalibari MPHC	Nalbari	Paschim Nalbari	Primary Health Centre
774	Solmara MPHC	Nalbari	Paschim Nalbari	Primary Health Centre
775	Gobradal MPHC	Nalbari	Tihu	Primary Health Centre
776	Haribhanga SD	Nalbari	Tihu	Primary Health Centre
777	Jalkhana MPHC	Nalbari	Paschim Nalbari	Primary Health Centre
778	Niz Namati SHC	Nalbari	Tihu	Primary Health Centre
779	Sialmari MPHC	Nalbari	Tihu	Primary Health Centre
780	Charing MPHC	Sivasagar	Amguri	Primary Health Centre
781	Dupdor MPHC	Sivasagar	Amguri	Primary Health Centre



782	Hafaluting MPHC	Sivasagar	Gaurisagar	Primary Health Centre
783	Jhanji SHC	Sivasagar	Amguri	Primary Health Centre
784	Kaloogaon BPHC	Sivasagar	Gaurisagar	Primary Health Centre
785	Morabazar BPHC	Sivasagar	Amguri	Primary Health Centre
786	Namtiali MPHC	Sivasagar	Amguri	Primary Health Centre
787	Bamrajabari MPHC	Sivasagar	Demow	Primary Health Centre
788	Bokota MPHC	Sivasagar	Demow	Primary Health Centre
789	Dehingmukh SHC	Sivasagar	Demow	Primary Health Centre
790	Demow BPHC	Sivasagar	Demow	Primary Health Centre
791	Deoriting Primary Health Centre	Sivasagar	Demow	Primary Health Centre
792	Nitaipukhuri MPHC	Sivasagar	Demow	Primary Health Centre
793	Palengi MPHC	Sivasagar	Demow	Primary Health Centre
794	Chunpora Gohain Khanda MPHC	Sivasagar	Nazira	Primary Health Centre
795	Geleky BPHC	Sivasagar	Nazira	Primary Health Centre
796	Juktoli MPHC	Sivasagar	Nazira	Primary Health Centre
797	Nazira SHC	Sivasagar	Notmapped	Urban Primary Health Centre
798	Santak MPHC	Sivasagar	Nazira	Primary Health Centre
799	Simaluguri MPHC	Sivasagar	Notmapped	Urban Primary Health Centre
800	Banmukh MPHC	Sivasagar	Sivasagar	Primary Health Centre
801	Boliaghat Pothalial MPHC	Sivasagar	Gaurisagar	Primary Health Centre
802	Desangmukh MPHC	Sivasagar	Sivasagar	Primary Health Centre
803	Dikhowmukh MPHC	Sivasagar	Gaurisagar	Primary Health Centre
804	Gourisagar BPHC	Sivasagar	Gaurisagar	Primary Health Centre
805	Khelua BPHC	Sivasagar	Sivasagar	Primary Health Centre
806	Konwarpur SHC	Sivasagar	Sivasagar	Primary Health Centre
807	Wood Urban Health Centre	Sivasagar	Notmapped	Urban Primary Health Centre
808	Balipara PHC	Sonitpur	Balipara	Primary Health Centre
809	Chengellimari SD	Sonitpur	Balipara	Primary Health Centre
810	Jamuguri SHC	Sonitpur	Naduar	Primary Health Centre
811	Rangachakua SD	Sonitpur	Naduar	Primary Health Centre
812	Rangapara PHC	Sonitpur	Rangapara	Primary Health Centre



813	1No.Basasimalu River PHC	Sonitpur	Dhekiajuli	Primary Health Centre
814	Batasipur NPHC	Sonitpur	Dhekiajuli	Primary Health Centre
815	Borgaon NPHC	Sonitpur	Dhekiajuli	Primary Health Centre
816	Borsola NPHC	Sonitpur	Dhekiajuli	Primary Health Centre
817	Dhekiajuli PHC	Sonitpur	Dhekiajuli	Primary Health Centre
818	Dighaljuli PHC	Sonitpur	Dhekiajuli	Primary Health Centre
819	Doomdooma NPHC	Sonitpur	Dhekiajuli	Primary Health Centre
820	Garubandha SD	Sonitpur	Dhekiajuli	Primary Health Centre
821	Hoograjuli PHC	Sonitpur	Dhekiajuli	Primary Health Centre
822	Raikashmari NPHC	Sonitpur	Dhekiajuli	Primary Health Centre
823	Rowmari SD	Sonitpur	Dhekiajuli	Primary Health Centre
824	Singri SD	Sonitpur	Dhekiajuli	Primary Health Centre
825	Ulubari NPHC	Sonitpur	Bihaguri	Primary Health Centre
826	Bandarmari SD	Sonitpur	Bihaguri	Primary Health Centre
827	Besseria SD	Sonitpur	Gabhoru	Primary Health Centre
828	Bhojkhwa Reverine PHC	Sonitpur	Bihaguri	Primary Health Centre
829	Bihaguri BPHC	Sonitpur	Bihaguri	Primary Health Centre
830	Dekargaon SD	Sonitpur	Balipara	Primary Health Centre
831	Dipota NPHC	Sonitpur	Balipara	Primary Health Centre
832	Haleswar MPHC	Sonitpur	Balipara	Primary Health Centre
833	MCWC Tezpur Urban	Sonitpur	Notmapped	Urban Primary Health Centre
834	Panchmile NPHC	Sonitpur	Bihaguri	Primary Health Centre
835	Urban Heath Centre (UHC) Tezpur	Sonitpur	Notmapped	Urban Primary Health Centre
836	Naharbari NPHC	Sonitpur	Dhekiajuli	Primary Health Centre
837	Baghapara	South Salmara Mancachar	Mankachar	Primary Health Centre
838	Gazarikandi BPHC	South Salmara Mancachar	Fekamari	Primary Health Centre
839	Hazirhat Bazar Char PHC	South Salmara Mancachar	Fekamari	Primary Health Centre
840	Jhawdanga SD	South Salmara Mancachar	Mankachar	Primary Health Centre
841	Kakripara SD	South Salmara Mancachar	Mankachar	Primary Health Centre



842	Kanaimara NPHC	South Salmara Mancachar	Fekamari	Primary Health Centre
843	Sadullabari SHC	South Salmara Mancachar	Mankachar	Primary Health Centre
844	Sukchar MPHC	South Salmara Mancachar	Fekamari	Primary Health Centre
845	SOUTH SALMARA	South Salmara Mancachar	South Salmara	Primary Health Centre
846	Bandarkhati MPHC	Tinsukia	Hapjan	Primary Health Centre
847	Barekuri MPHC	Tinsukia	Hapjan	Primary Health Centre
848	Bordirak MPHC	Tinsukia	Kakopathar	Primary Health Centre
849	Hapjan	Tinsukia	Hapjan	Primary Health Centre
850	Kakopathar BPHC	Tinsukia	Kakopathar	Primary Health Centre
851	Saikhowaghat SD	Tinsukia	Saikhowa	Primary Health Centre
852	Hassak MPHC	Tinsukia	Margherita	Primary Health Centre
853	Inthem SD	Tinsukia	Margherita	Primary Health Centre
854	Jagun MPHC	Tinsukia	Margherita	Primary Health Centre
855	Ketetong BPHC	Tinsukia	Margherita	Primary Health Centre
856	Ledo MPHC	Tinsukia	Margherita	Primary Health Centre
857	Pangree MPHC	Tinsukia	Margherita	Primary Health Centre
858	Tirapgate SD	Tinsukia	Margherita	Primary Health Centre
859	Urban Health Centre Margherita	Tinsukia	Notmapped	Urban Primary Health Centre
860	Amarpur Char PHC	Tinsukia	Sadiya	Primary Health Centre
861	Ambikapur MPHC	Tinsukia	Sadiya	Primary Health Centre
862	Na Sadiya BPHC	Tinsukia	Sadiya	Primary Health Centre
863	Santipur MPHC	Tinsukia	Sadiya	Primary Health Centre
864	Sunpura MPHC	Tinsukia	Sadiya	Primary Health Centre
865	Bordubi New PHC	Tinsukia	Itakhuli	Primary Health Centre
866	Guijan New PHC	Tinsukia	Guijan	Primary Health Centre
867	Matiakhana PHC	Tinsukia	Itakhuli	Primary Health Centre
868	Santipur New PHC	Tinsukia	Hapjan	Primary Health Centre
869	Tingrai Tinali PHC	Tinsukia	Hapjan	Primary Health Centre
870	Urban Health Centre Tinsukia	Tinsukia	Notmapped	Urban Primary Health Centre



871	Baithalangso PHC	West Karbi Anglong	Notmapped	Urban Primary Health Centre
872	Bhoksong MPHC	West Karbi Anglong	Amri	Primary Health Centre
873	Borgaon MPHC	West Karbi Anglong	Amri	Primary Health Centre
874	Hanlokrok MPHC	West Karbi Anglong	Rongkhang	Primary Health Centre
875	Khanduli SD	West Karbi Anglong	Socheng	Primary Health Centre
876	Kolonga SD	West Karbi Anglong	Rongkhang	Primary Health Centre
877	Mailoo SHC	West Karbi Anglong	Rongkhang	Primary Health Centre
878	Ouguri MPHC	West Karbi Anglong	Amri	Primary Health Centre
879	Putsari MPHC	West Karbi Anglong	Amri	Primary Health Centre
880	Rongchek MPHC	West Karbi Anglong	Chinthong	Primary Health Centre
881	Rongjangphong MPHC	West Karbi Anglong	Chinthong	Primary Health Centre
882	Rongmandu MPHC	West Karbi Anglong	Chinthong	Primary Health Centre
883	Rongpangbong MPHC	West Karbi Anglong	Socheng	Primary Health Centre
884	Sildubi MPHC	West Karbi Anglong	Rongkhang	Primary Health Centre
885	Taradubi MPHC	West Karbi Anglong	Rongkhang	Primary Health Centre
886	Tumpreng SHC	West Karbi Anglong	Rongkhang	Primary Health Centre
887	Umpanai PHC	West Karbi Anglong	Amri	Primary Health Centre
888	Zirikindeng BPHC	West Karbi Anglong	Socheng	Primary Health Centre